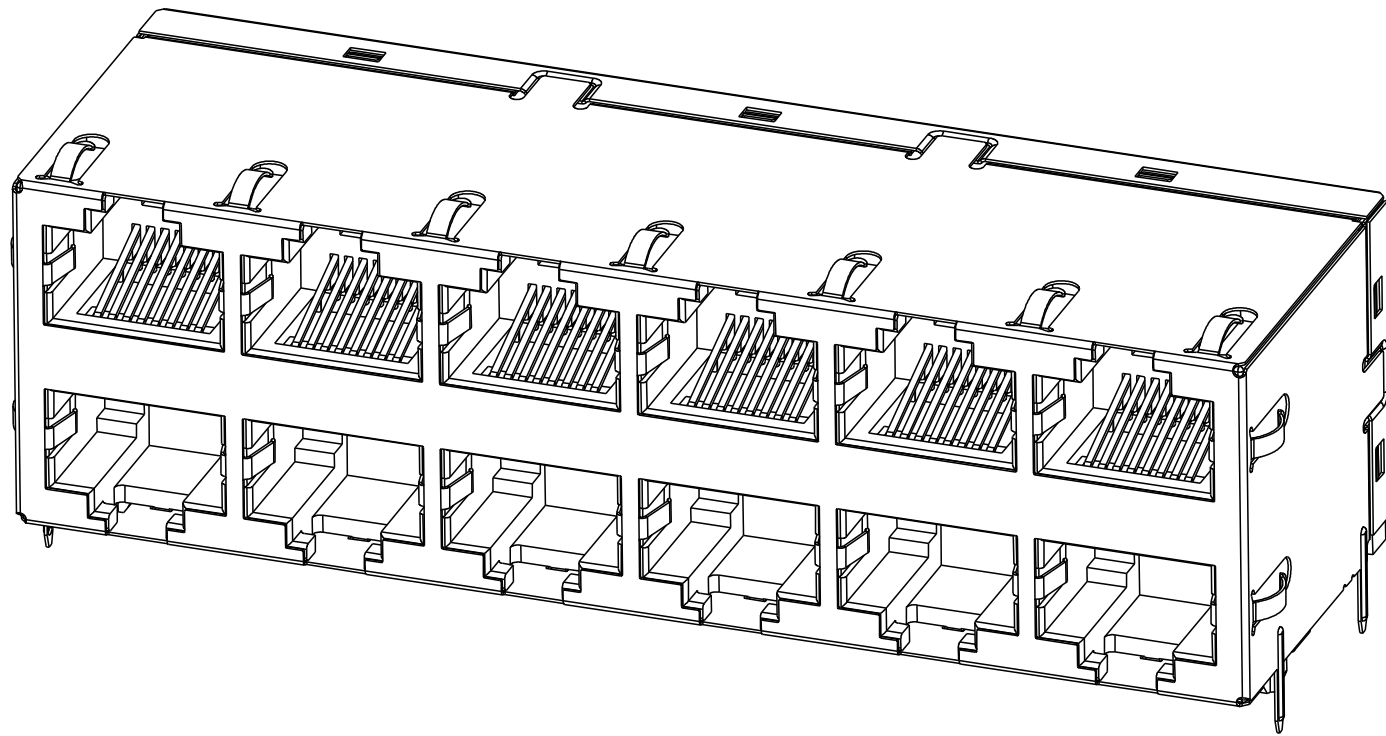


THIS DRAWING AND THE SUBJECT MATTER SHOWN THEREON ARE CONFIDENTIAL AND THE PROPERTY OF BEL/STEWART/TRP CONNECTOR AND SHALL NOT BE REPRODUCED, COPIED, OR USED IN ANY MANNER WITHOUT THE WRITTEN CONSENT OF TRP CONNECTOR.

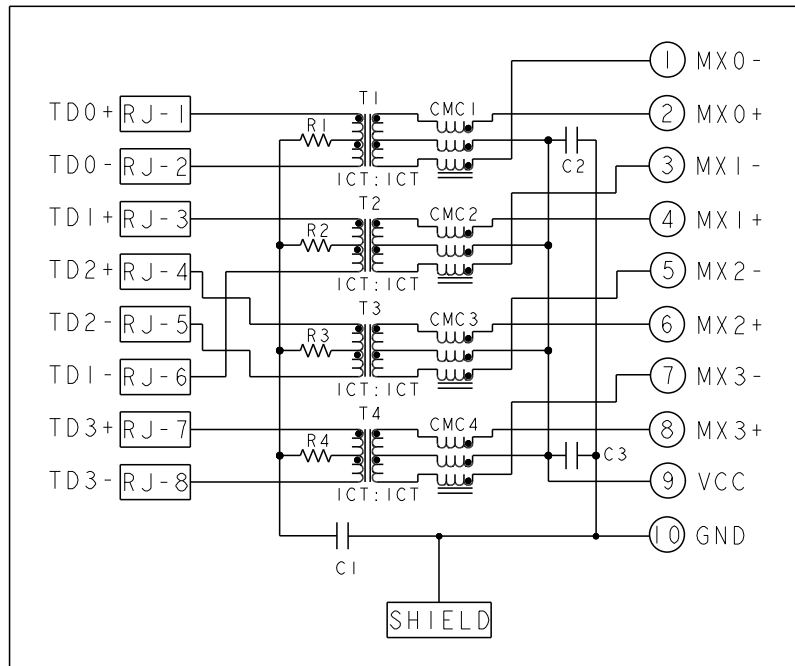
PRODUCT MAY BE PROTECTED BY ONE OR MORE OF THE FOLLOWING US PATENTS:
 5736910 5939955 6425781 6428361 6554638 6840817 7123117
 7429195 7717749 7808751 6217391 6149050 7924130

REVISIONS				
#	LT#	DESCRIPTION	DATE	OWN APVD
H		EC-1411035 COMPANY LOGO CHANGE	03MAR2015	TR TY



S8G56 GIGABIT CIRCUIT

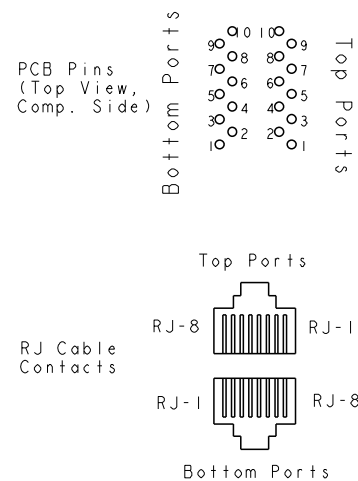
Top and Bottom Ports



C1 = 1000pF, 2kV Capacitor
 C2 - C3 = 10nF, 50V Capacitors
 R1-R4 = 75 Ohms, 1/16 W, Resistors

Pin Designations

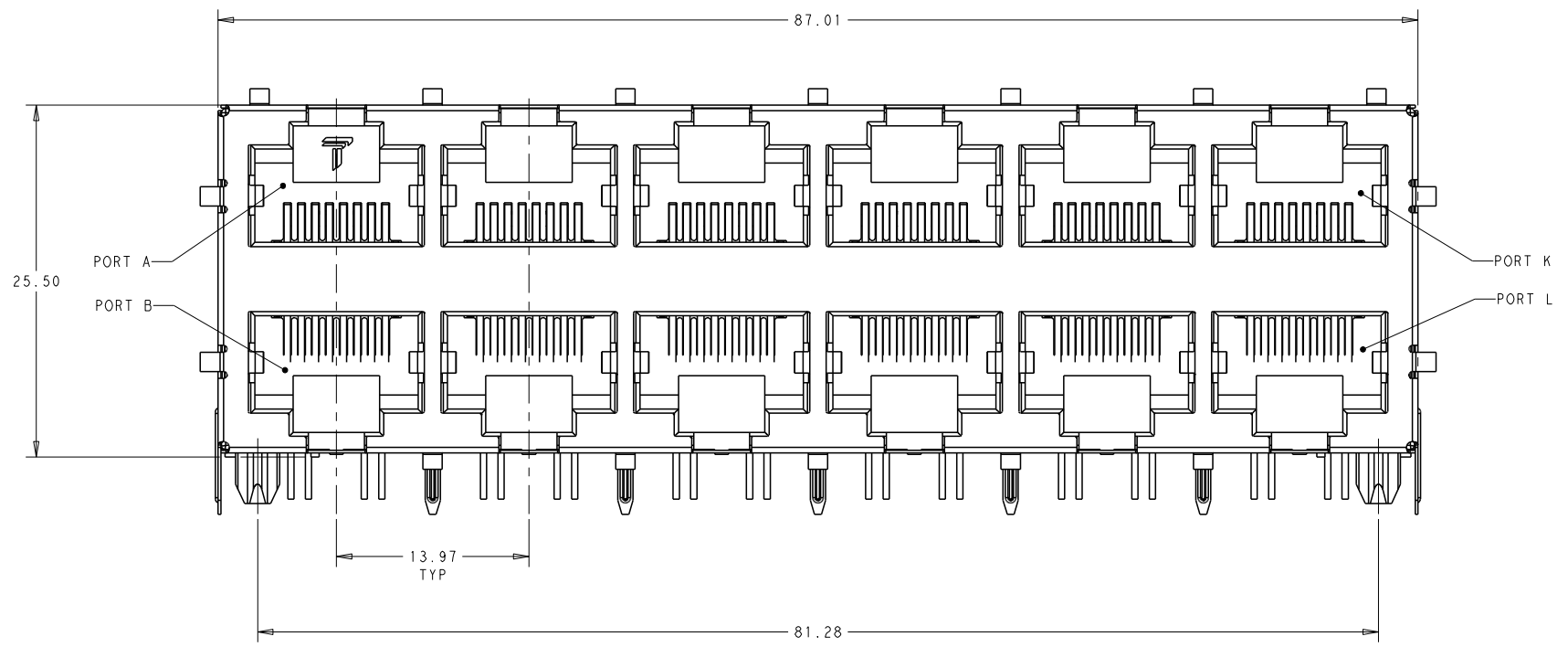
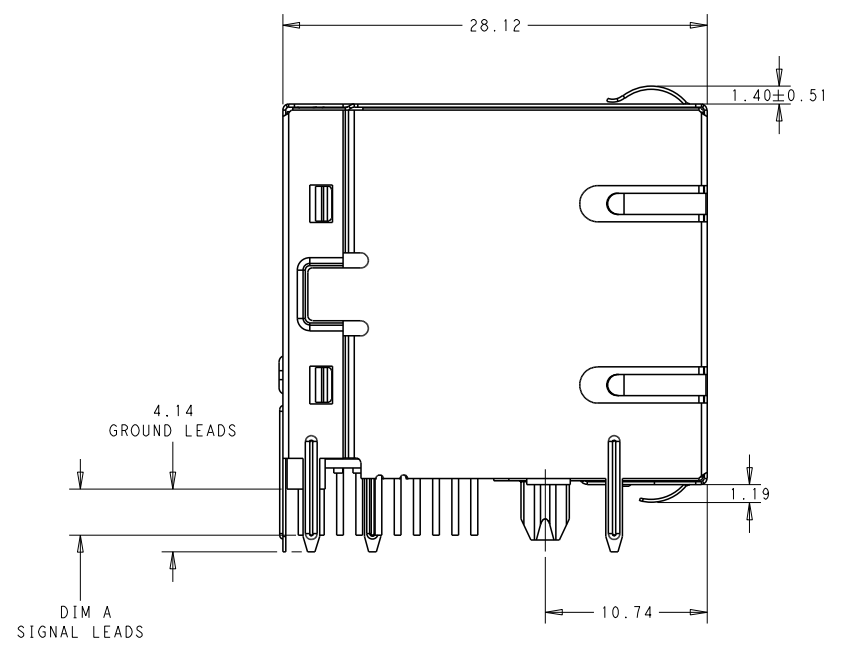
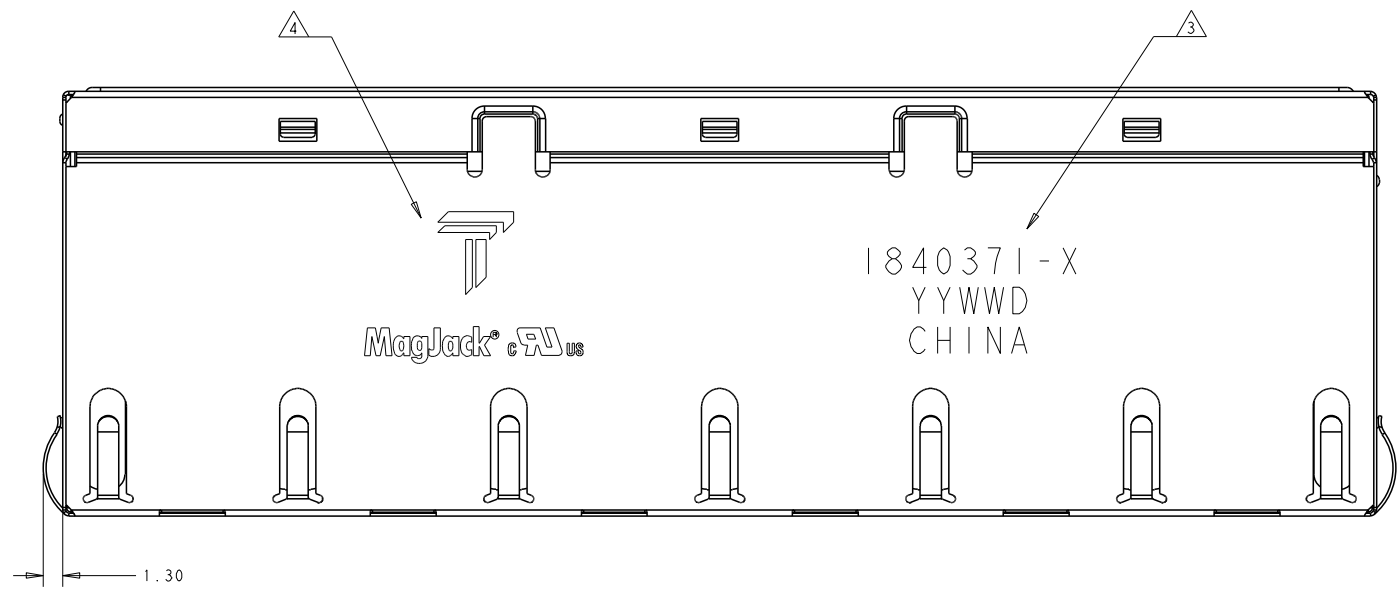
(Repeat for each vertical pair of ports.)



1. MATERIALS:
 PLASTIC HOUSING: BLACK, THERMOPLASTIC FLAMMABILITY RATING UL 94V-0
 SHIELD: BRASS, PREPLATED WITH 0.76um MIN SEMI-BRIGHT NICKEL,
 POST DIPPED WITH 2.54um MIN SAC SOLDER ON SOLDER TAILS,
 CONTACTS: PHOSPHOR BRONZE, 1.27um MIN OVERALL NICKEL
 UNDERPLATE WITH SELECT 1.27um MIN GOLD AT MATING INTERFACE
 AND 2.54um MIN MATTE TIN ON SOLDER TAILS.
 ALL PC BOARDS: HIGH TEMPERATURE PCB, TG>170°C
2. MAGNETICS
 APPLICATION: 10/100/1000 BASE-T
 IMPEDANCE: 100 OHMS
 TURNS RATIO (CHIP:CABLE): 1:1 ALL FOUR PAIRS
 OPEN CIRCUIT INDUCTANCE (OCL): 350uH MIN @100kHz, 0.1VRMS,
 8mADC BIAS FROM 0°C TO 70°C, ALL FOUR PAIRS
 ALL FOUR PAIRS BI-DIRECTIONAL
 PERFORMANCE @ 25°C:
 INSERTION LOSS (IL): 1.1dB MAX FROM 0.5MHz TO 100MHz
 RETURN LOSS (RL): 18dB MIN FROM 0.5MHz TO 40MHz
 12-20LOG(f/80)dB MIN FROM 40.1MHz TO 100MHz
 CROSSTALK ATTENUATION: 35dB MIN FROM 0.5MHz TO 40MHz
 33-20LOG(f/50)dB MIN FROM 40.1MHz TO 100MHz
 COMMON MODE REJECTION RATIO (CMRR): 30dB MIN FROM 0.5MHz TO 100MHz
 ISOLATION VOLTAGE: 2250VDC(MAX) FOR 60 SECONDS WITH A RISE TIME OF
 500V/SEC AND WITH ALL PORTS CONNECTED.
3. PART NUMBER, DATE CODE AND COUNTRY OF ORIGIN ARE LOCATED IN APPROXIMATE AREA SHOWN. DATE CODE: YYWW "YY" IS YEAR, "WW" IS WORK WEEK, "D" IS DAY OF WEEK, WITH SUNDAY=1
4. TRP CONNECTOR LOGO AND AGENCY APPROVAL LOGO ARE LOCATED IN APPROXIMATE AREA SHOWN.
5. OPERATING TEMP: FROM 0°C TO +70°C.
6. RJ45 CAVITY CONFORMS TO FCC RULES AND REGULATION PART 68 SUBPART F.
7. INDICATED MAGNETIC CONNECTIONS ARE SYMMETRICAL AND SUPPORT AUTO-MDI/MDIX.
8. DATUM AND BASIC DIMENSION ESTABLISHED BY CUSTOMER.
9. BASIC DIMENSION ESTABLISHED BY CUSTOMER, BUT MAY NOT BE GREATER THAN 5.08mm.
10. THE PARTS ARE RECOMMENDED FOR WAVE SOLDERING PROCESS, PEAK TEMPERATURE 260°C MAX, 10 SECONDS MAX.

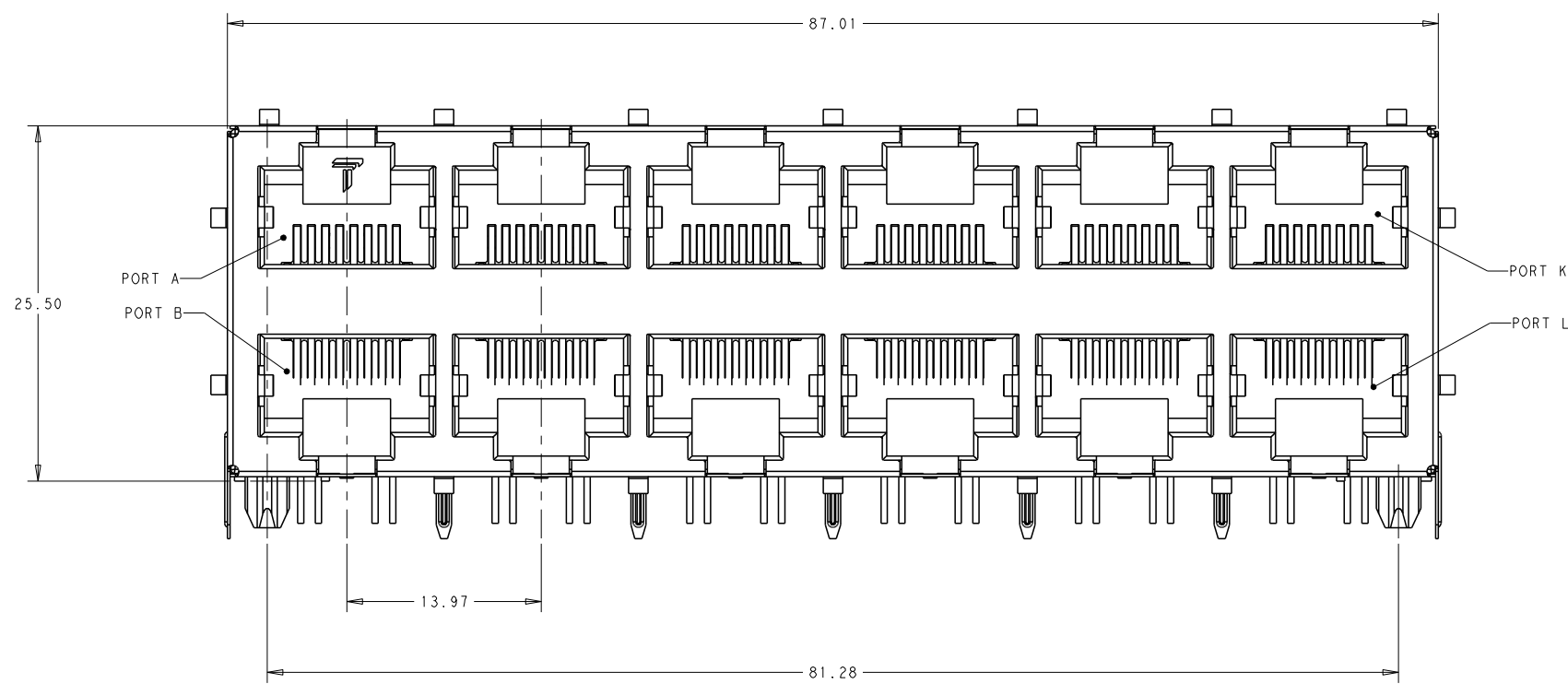
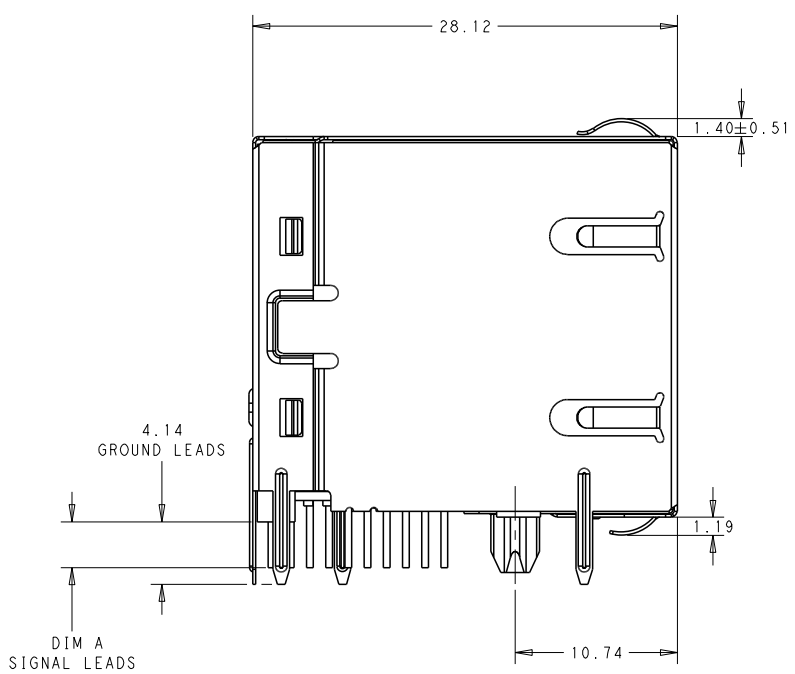
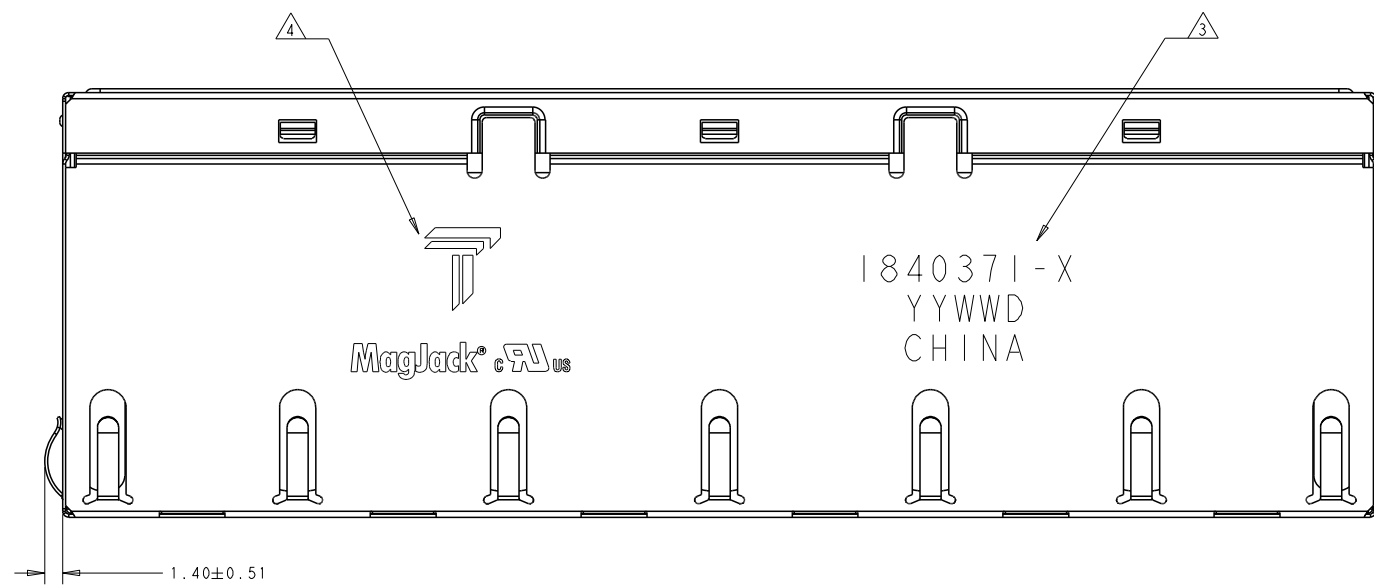
SEE SHEET 2	2.06	2-1840371-3
SEE SHEET 2	2.84	2-1840371-1
SEE SHEET 3	3.43	1840371-2
SEE SHEET 3	2.84	1840371-1
SIDE EMI FINGER	DIM A	PART NUMBER

THIS DRAWING IS A CONTROLLED DOCUMENT.		DWN	TOMMY REN	27OCT2009	 trp CONNECTOR a bel group	DONGGUAN CHINA			
DIMENSIONS: mm		CHK	TONY YUAN	27OCT2009		MODEL NAME MAGJACK	RESTRICTED TO -		
TOLERANCES UNLESS OTHERWISE SPECIFIED:		APP'D	KEITH ZHU	27OCT2009				DESC 2X6 S8G56 GIGABIT W/O LED	
0 PLC ±0.25 1 PLC ±0.25 2 PLC ±0.25 3 PLC ±0.25 4 PLC ± ANGLES ±		PRODUCT SPEC	108-104004	APPLICATION SPEC		-			
CUSTOMER DRAWING		SCALE	4:1	SHEET	1	OF	4	REV	H



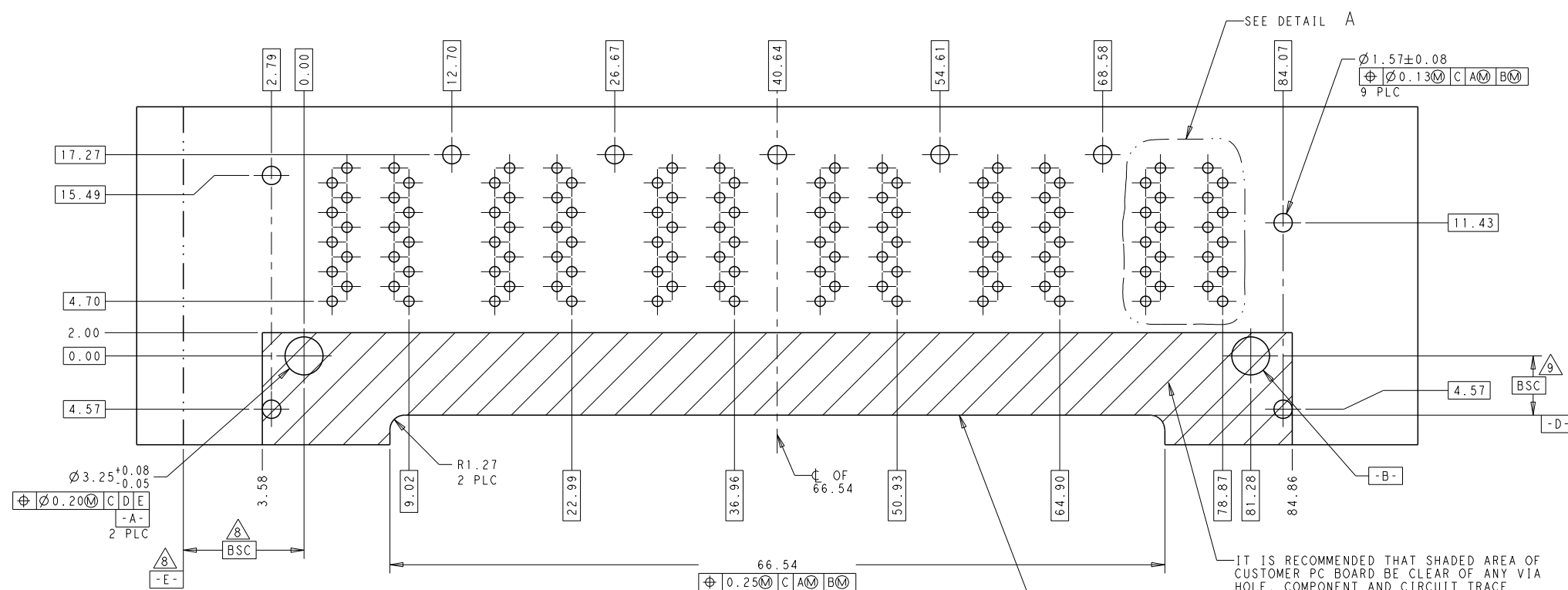
VIEWS FOR 2-1840371-1 AND 2-1840371-3

THIS DRAWING IS A CONTROLLED DOCUMENT.		DWN TOMMY REN 27OCT2009	TRP CONNECTOR a bel group DONGGUAN CHINA
DIMENSIONS: mm		CHK TONY YUAN 27OCT2009	
TOLERANCES UNLESS OTHERWISE SPECIFIED:		APP'D KEITH ZHU 27OCT2009	
0 PLC ±0.25 1 PLC ±0.25 2 PLC ±0.25 3 PLC ± 4 PLC ± ANGLES ±	PRODUCT SPEC 108-104004 APPLICATION SPEC -	MODEL NAME MAGJACK DESC STACK Non-PoE	SIZE A1 CAGE CODE DRAWING NO. 1840371 RESTRICTED TO
CUSTOMER DRAWING			SCALE 4:1 SHEET 2 OF 4 REV H



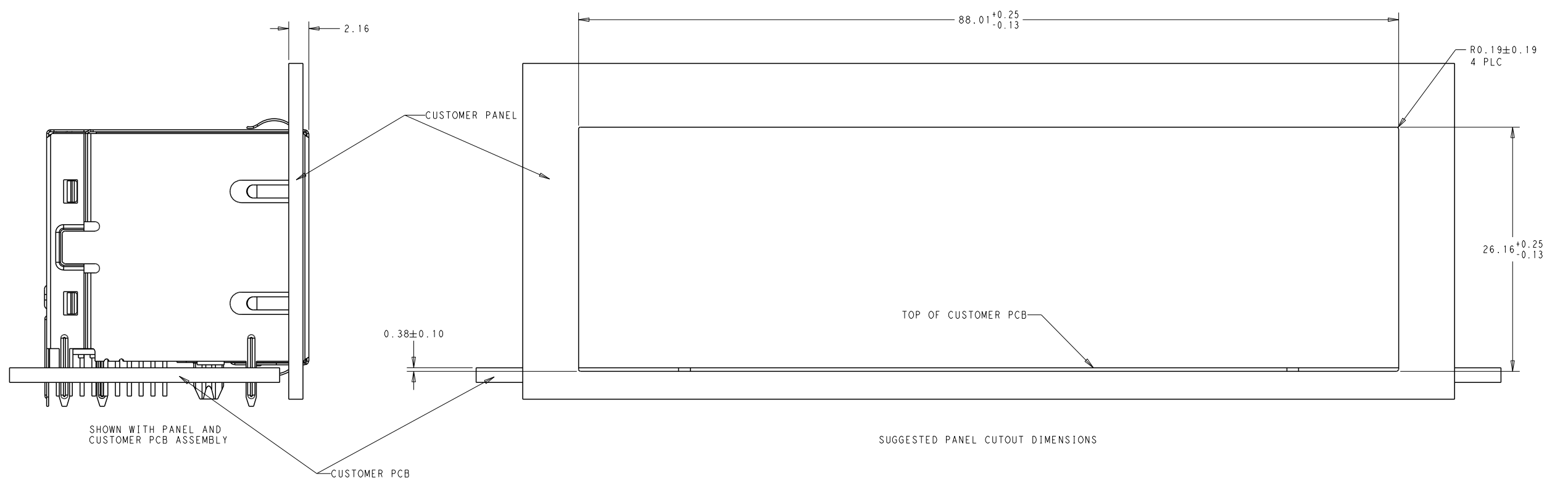
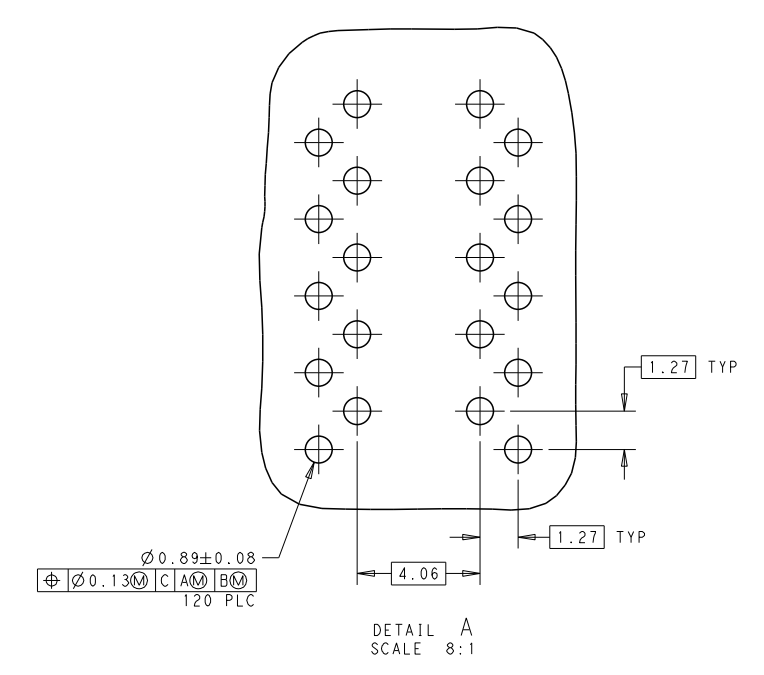
VIEWS FOR 1840371-1 AND 1840371-2

THIS DRAWING IS A CONTROLLED DOCUMENT.		DWN TOMMY REN 27OCT2009	TRP CONNECTOR a bel group DONGGUAN CHINA
DIMENSIONS: mm		CHK TONY YUAN 27OCT2009	
TOLERANCES UNLESS OTHERWISE SPECIFIED:		APP'D KEITH ZHU 27OCT2009	
0 PLC ±0.25	1 PLC ±0.25	2 PLC ±0.25	MODEL NAME
3 PLC ±0.25	4 PLC ±	ANGLES ±	MAGJACK
PRODUCT SPEC 108-104004	APPLICATION SPEC -	DESC	2X6 S8G56 GIGABIT W/O LED
CUSTOMER DRAWING		SIZE A1	RESTRICTED TO
		CAGE CODE	1840371
		DRAWING NO	3
		SCALE 4:1	SHEET 3 OF 4
		REV H	



IT IS RECOMMENDED THAT SHADED AREA OF CUSTOMER PC BOARD BE CLEAR OF ANY VIA HOLE, COMPONENT AND CIRCUIT TRACE

RECOMMENDED PCB FRONT EDGE CUTOUT: THE BOTTOM SHIELD GROUND TABS(FRONT) SHOULD NOT BE SEATED ON THE TOP OF THE PCB



THIS DRAWING IS A CONTROLLED DOCUMENT.		DWN TOMMY REN 27OCT2009	TRP CONNECTOR a bel group DONGGUAN CHINA
DIMENSIONS: mm		CHK TONY YUAN 27OCT2009	
TOLERANCES UNLESS OTHERWISE SPECIFIED:		APP'D KEITH ZHU 27OCT2009	
0 PLC ±0.25 1 PLC ±0.25 2 PLC ±0.25 3 PLC ± 4 PLC ± ANGLES ±		MODEL NAME	
PRODUCT SPEC 108-104004	APPLICATION SPEC -	DESC MAGJACK STACK Non-PoE	SIZE A1
		CAGE CODE 1840371	RESTRICTED TO
		CUSTOMER DRAWING	SCALE 4:1 SHEET 4 OF 4 REV H