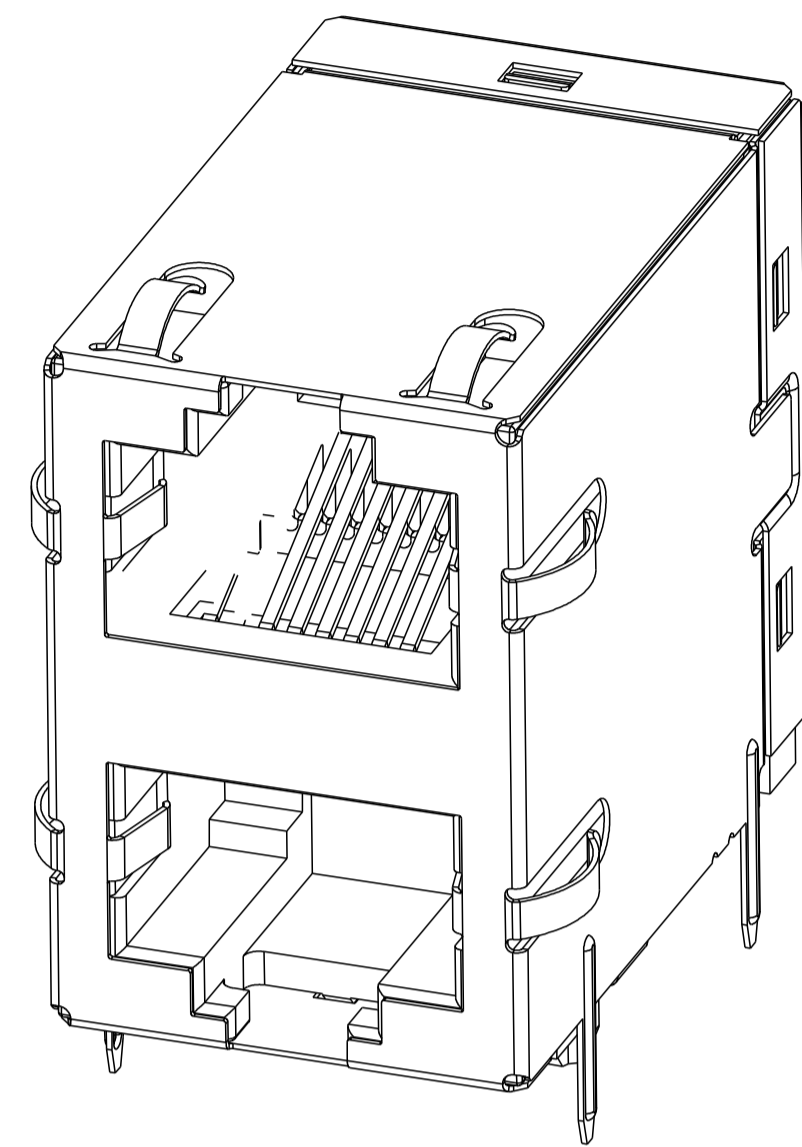


THIS DRAWING AND THE SUBJECT MATTER SHOWN THEREON ARE CONFIDENTIAL AND THE PROPERTY OF BEL/STEWART/TRP CONNECTOR AND SHALL NOT BE REPRODUCED, COPIED, OR USED IN ANY MANNER WITHOUT THE WRITTEN CONSENT OF TRP CONNECTOR.

PRODUCT MAY BE PROTECTED BY ONE OR MORE OF THE FOLLOWING US PATENTS:
 5736910 5939955 6425781 6428361 6554638 6840817 7123117
 7429195 7717749 7808751 6217391 6149050 7924130

REVISIONS				
P	LTR	DESCRIPTION	DATE	DRW APVD
C		EC-1411035 COMPANY LOGO CHANGE	18DEC2014	GZ TY



1. MATERIALS:
 PLASTIC HOUSING: BLACK, THERMOPLASTIC FLAMMABILITY RATING UL 94V-0
 SHIELD: BRASS, PREPLATED WITH 0.76um MIN SEMI-BRIGHT NICKEL,
 POST DIPPED WITH 2.54um MIN SAC SOLDER ON SOLDER TAILS,
 CONTACTS: PHOSPHOR BRONZE, 1.27um MIN OVERALL NICKEL
 UNDERPLATE WITH SELECT 1.27um MIN GOLD AT MATING INTERFACE
 AND 2.54um MIN MATTE TIN ON SOLDER TAILS.
 ALL PC BOARDS: HIGH TEMPERATURE PCB, TG>170°C

2. MAGNETICS
 APPLICATION: 10/100 BASE-T
 IMPEDANCE: 100 OHMS
 TURNS RATIO (CHIP:CABLE): TX=1:1, RX=1:1
 OPEN CIRCUIT INDUCTANCE (OCL): 350uH MIN @100kHz, 0.1VRMS,
 8mADC BIAS FROM 0°C TO 70°C, TX AND RX
 PERFORMANCE @ 25°C:
 INSERTION LOSS (IL): 1.1dB MAX FROM 0.5MHz TO 100MHz
 RETURN LOSS (RL): 18dB MIN FROM 0.5MHz TO 40MHz
 12-20LOG(f/80)dB MIN FROM 40.1MHz TO 100MHz
 CROSSTALK ATTENUATION: 35dB MIN FROM 0.5MHz TO 40MHz
 33-20LOG(f/50)dB MIN FROM 40.1MHz TO 100MHz
 COMMON MODE REJECTION RATIO (CMRR): 30dB MIN FROM 0.5MHz TO 100MHz
 ISOLATION VOLTAGE: 2250 VDC (MAX) FOR 60 SECS WITH A RISE TIME OF
 500V/SEC AND ALL PORTS CONNECTED.

3. PART NUMBER, DATE CODE AND COUNTRY OF ORIGIN LOCATED IN APPROXIMATE AREA SHOWN
 DATE CODE: YYWWD WHERE "YY" IS YEAR, "WW" IS WORK WEEK, "D" IS DAY OF WEEK,
 WITH SUNDAY =1

4. TRP CONNECTOR LOGO AND AGENCY APPROVAL LOGO ARE
 LOCATED IN APPROXIMATE AREA SHOWN.

5. OPERATING TEMP: FROM 0°C TO +70°C.

6. RJ45 CAVITY CONFORMS TO FCC RULES AND REGULATION PART 68 SUBPART F.

7. INDICATED MAGNETIC CONNECTIONS ARE SYMMETRICAL AND
 SUPPORT AUTO-MDI/MDIX.

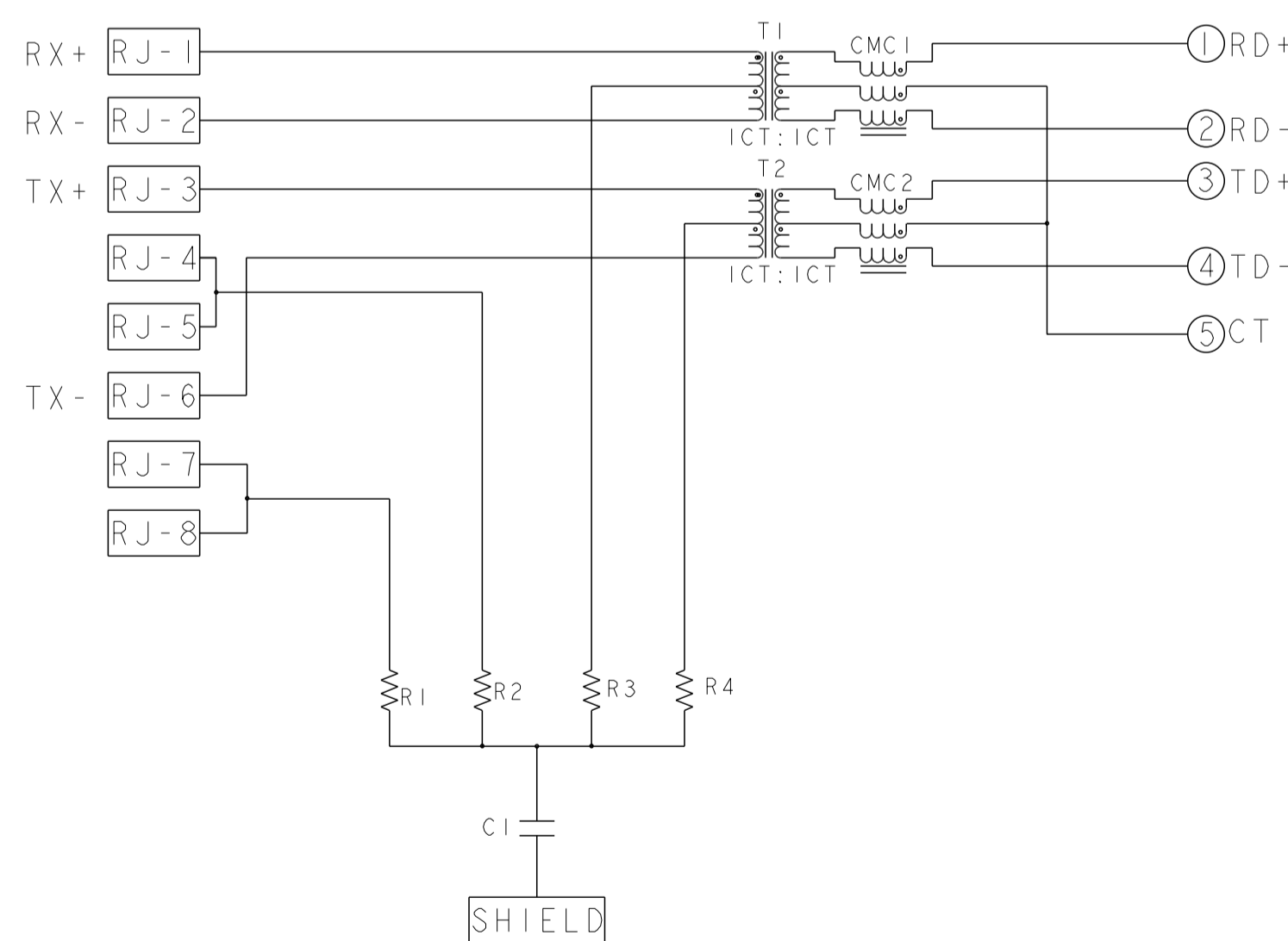
8. DATUM AND BASIC DIMENSION ESTABLISHED BY CUSTOMER.

9. BASIC DIMENSION ESTABLISHED BY CUSTOMER, BUT MAY NOT BE
 GREATER THAN 5.08mm.

10. THE PARTS ARE RECOMMENDED FOR WAVE SOLDERING PROCESS,
 PEAK TEMPERATURE 260°C MAX, 10 SECONDS MAX.

S899 10/100 CIRCUIT

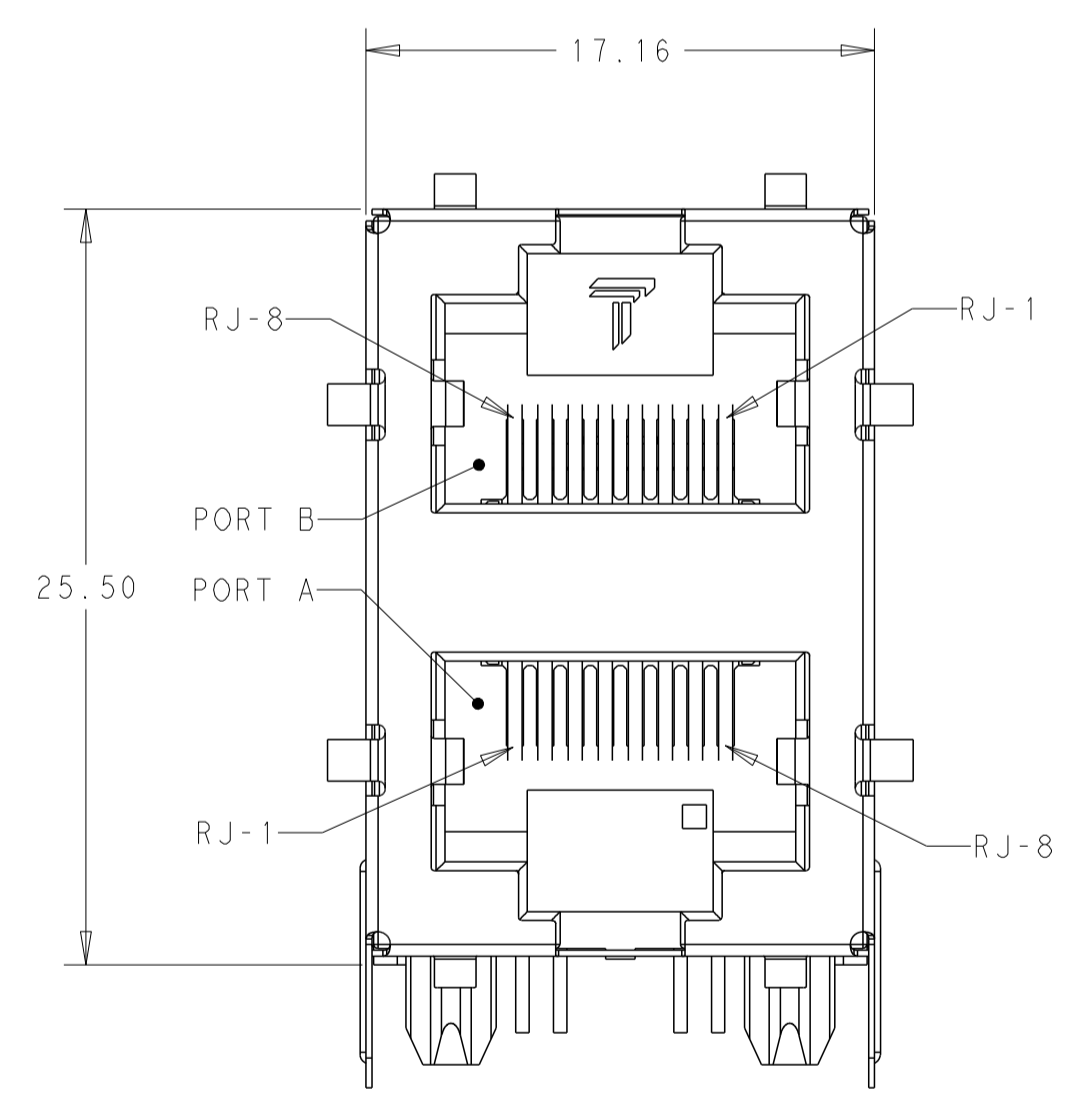
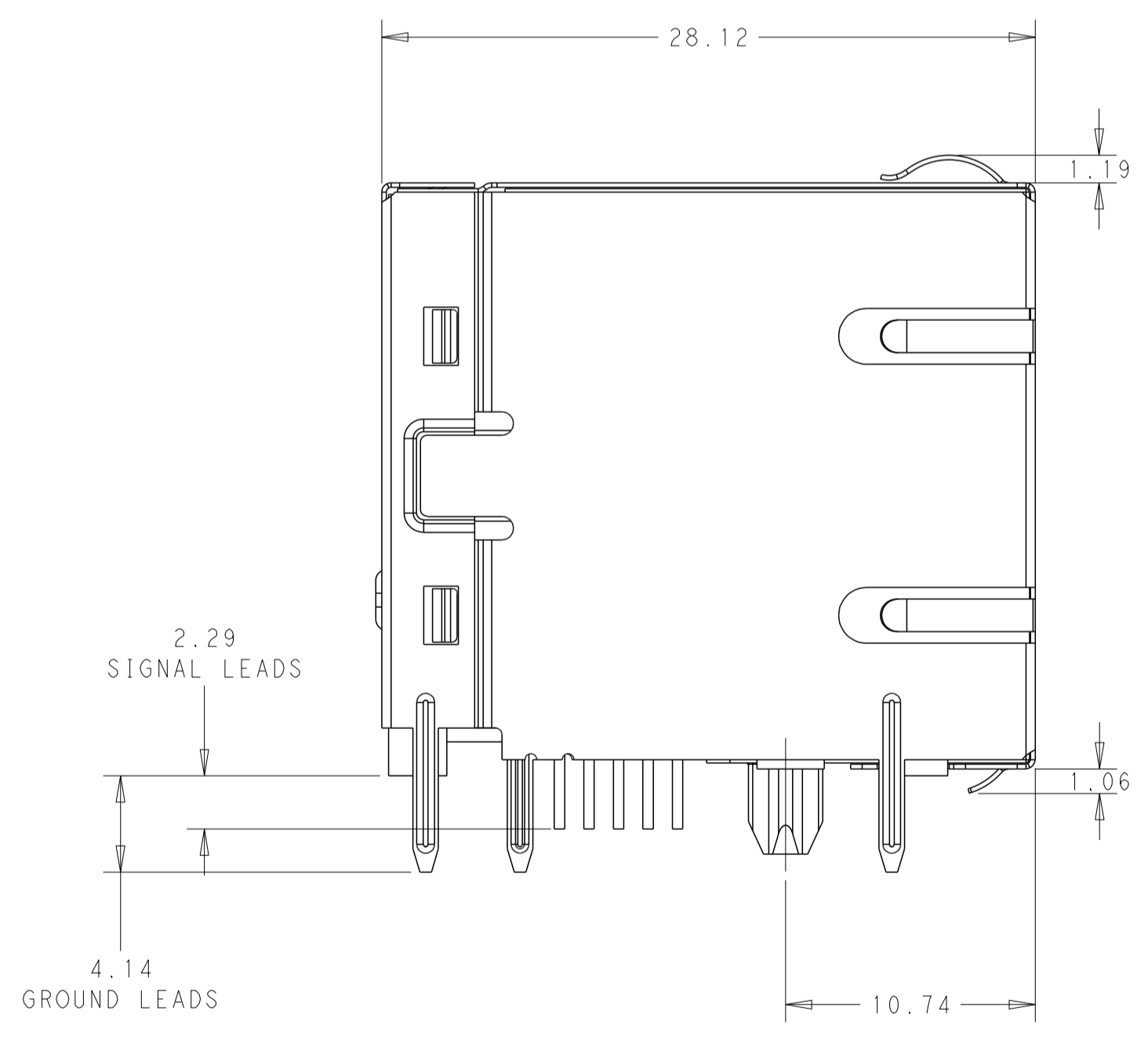
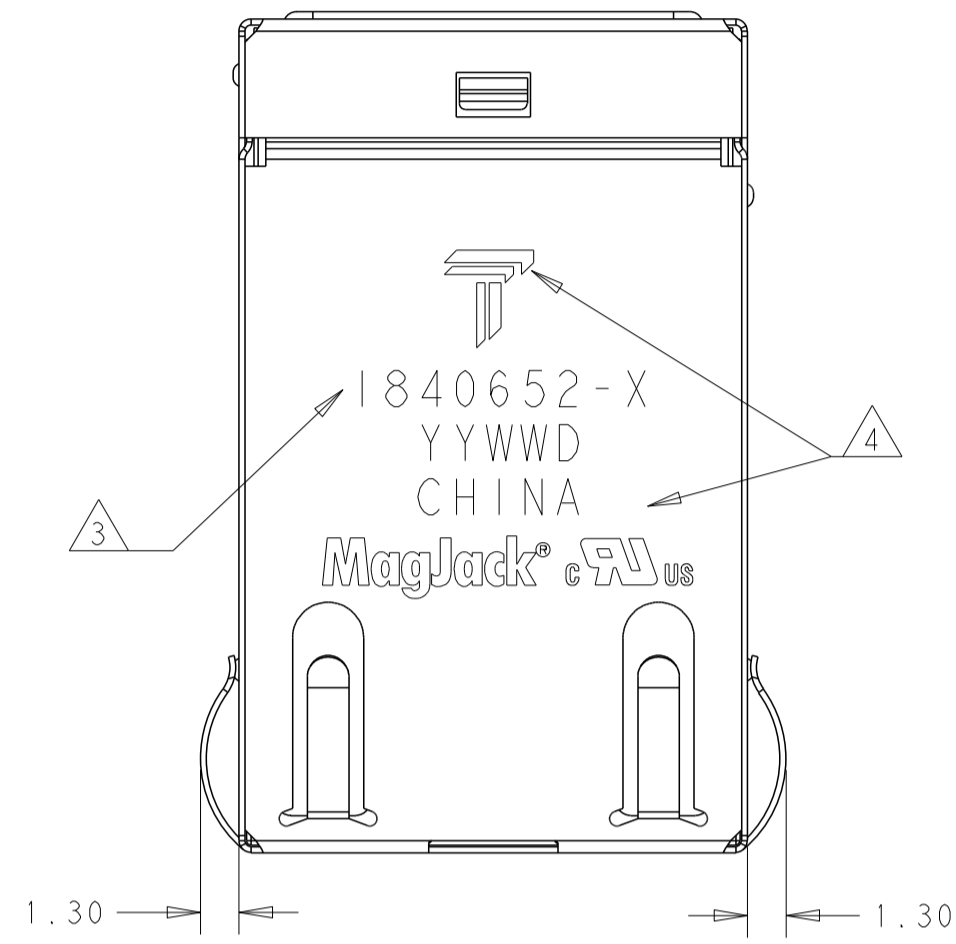
TOP AND BOTTOM PORTS



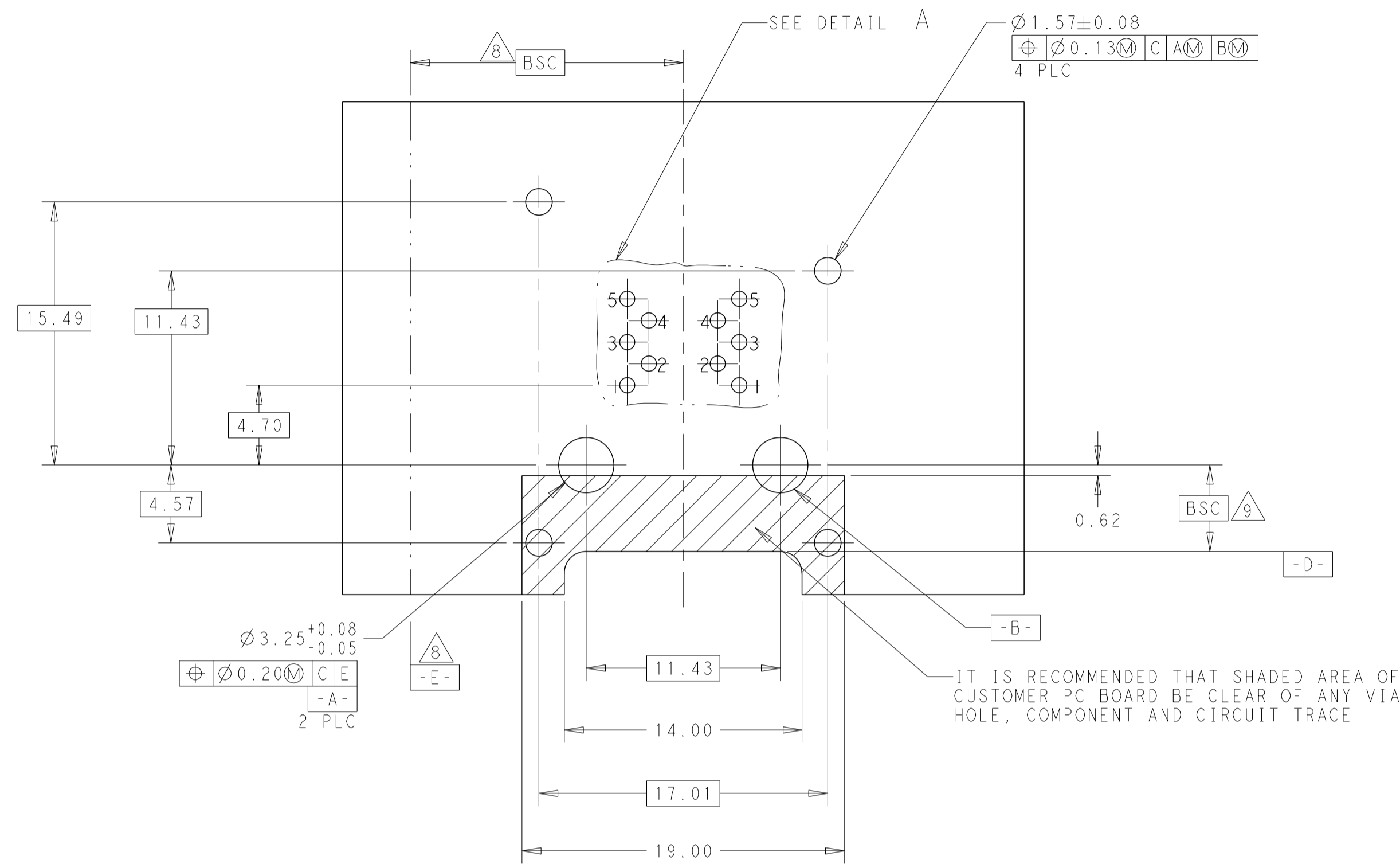
C1: 1000PF, 2KV, DECOUPLING CAP
 R1~R4 : 75 OHMS, RESISTORS

1840652-1
 PART NUMBER

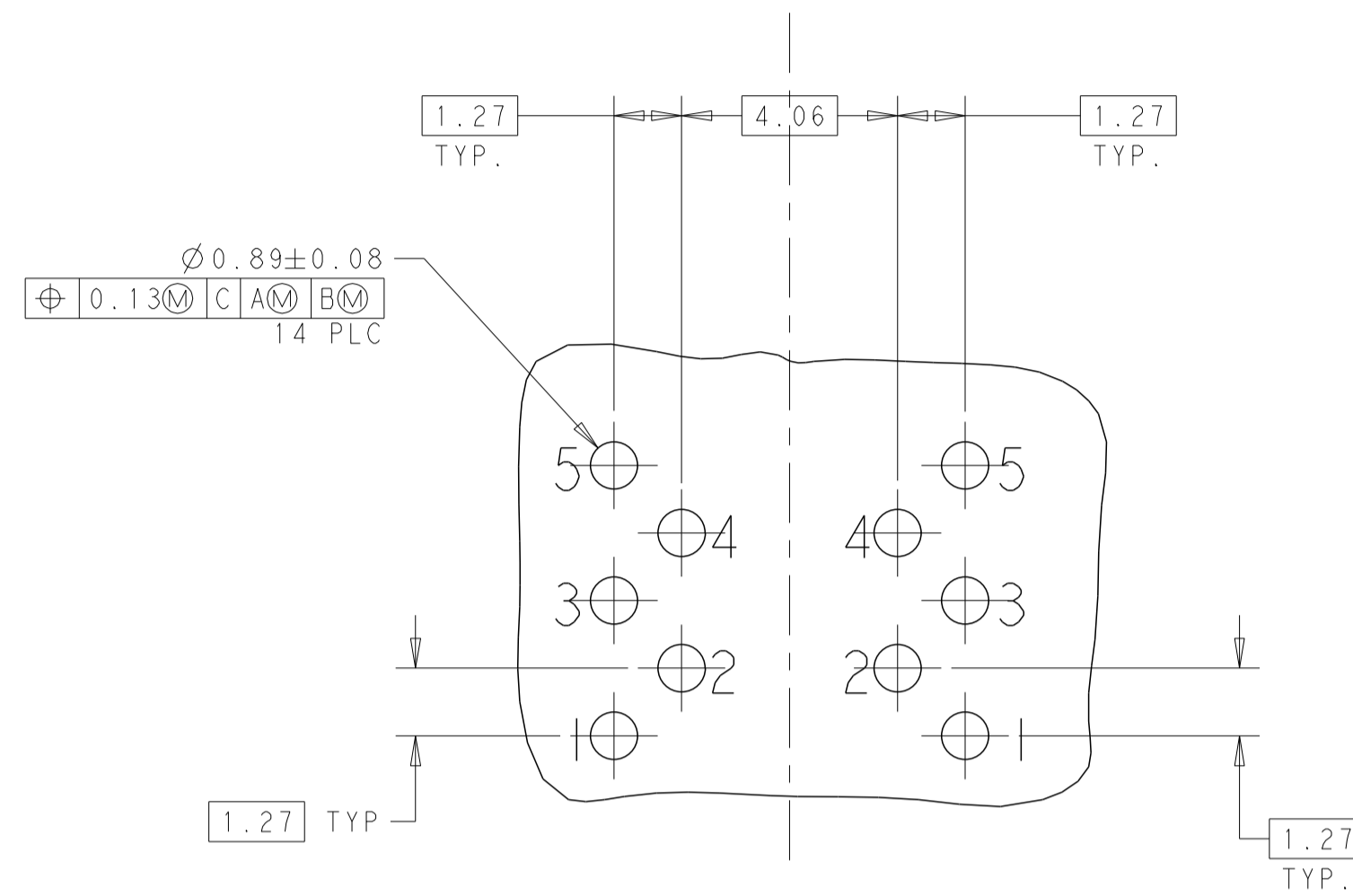
THIS DRAWING IS A CONTROLLED DOCUMENT.		DRW: PAUL PENG/STAN HE 02SEP2011	DONGGUAN CHINA
DIMENSIONS: mm		CHK: QUENTIN LIU 02SEP2011	
TOLERANCES UNLESS OTHERWISE SPECIFIED: 0 PLC ±0.25 1 PLC ±0.25 2 PLC ±0.25 3 PLC ±0.25 4 PLC ± ANGLES ±		APVD: LI JUN RAO 02SEP2011	
PRODUCT SPEC: 108-104004 APPLICATION SPEC: -		MODEL NAME: MAGJACK STACK Non-PoE	DESC: 2X1 S899 10/100 W/O LED SIZE: A1 CAGE CODE: C=1840652 RESTRICTED TO: CUSTOMER DRAWING
		SCALE: 4:1	SHEET 1 OF 3 REV C



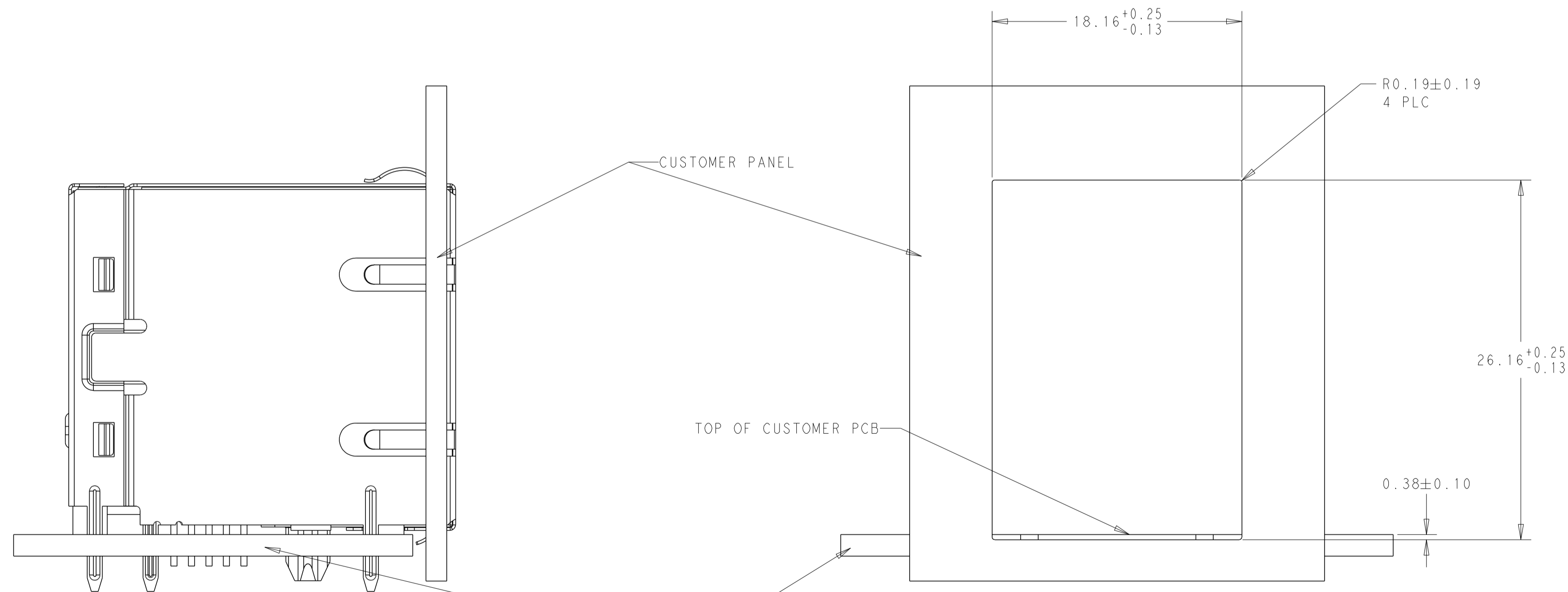
THIS DRAWING IS A CONTROLLED DOCUMENT.		DWO PAUL PENG/STAN HE 02SEP2011		 trp CONNECTOR	DONGGUAN CHINA
		CHK QUENTIN LIU 02SEP2011			
		APVD LIJUN RAO 02SEP2011			
DIMENSIONS: mm		TOLERANCES UNLESS OTHERWISE SPECIFIED:		MODEL NAME	DESC
		0 PLC ±0.25 1 PLC ±0.25 2 PLC ±0.25 3 PLC ±0.25 4 PLC ± ANGLES ± APPLICATION SPEC ±		MAGJACK	2XI S899 10/100 W/O LED
PRODUCT SPEC 108-104004				SIZE A1	CAGE CODE
				DRAWING NO. C=1840652	RESTRICTED TO
				CUSTOMER DRAWING	SCALE 4:1 SHEET 2 OF 3 REV C



RECOMMENDED PCB LAYOUT COMPONENT SIDE VIEW

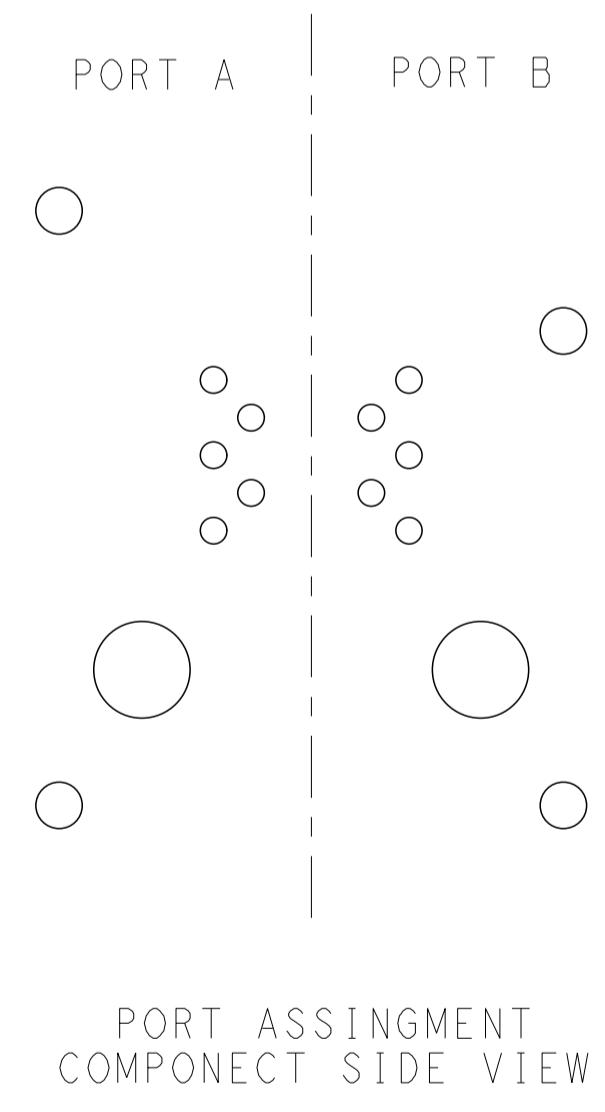


DETAIL A SCALE 8:1



SHOWN WITH PANEL AND CUSTOMER PCB ASSEMBLY

SUGGESTED PANEL CUTOUT DIMENSIONS



PORT ASSIGNMENT COMPONENT SIDE VIEW

THIS DRAWING IS A CONTROLLED DOCUMENT.		DWO PAUL PENG/STAN HE 02SEP2011		 DONGGUAN CHINA
DIMENSIONS: mm		CHK QUENTIN LIU 02SEP2011		
		APVD LIJUN RAO 02SEP2011		
TOLERANCES UNLESS OTHERWISE SPECIFIED:		MODEL NAME		DESC
0 PLC	±0.25	MAGJACK		2XI S899 10/100 W/O LED
1 PLC	±0.25	STACK Non-PoE		SIZE
2 PLC	±0.25	CUSTOMER DRAWING		CAGE CODE
3 PLC	±			DRAWING NO
4 PLC	±			C=1840652
ANGLES	±			RESTRICTED TO
PRODUCT SPEC	APPLICATION SPEC			SCALE
108-104004	-			4:1
				SHEET
				3 OF 3
				REV
				C