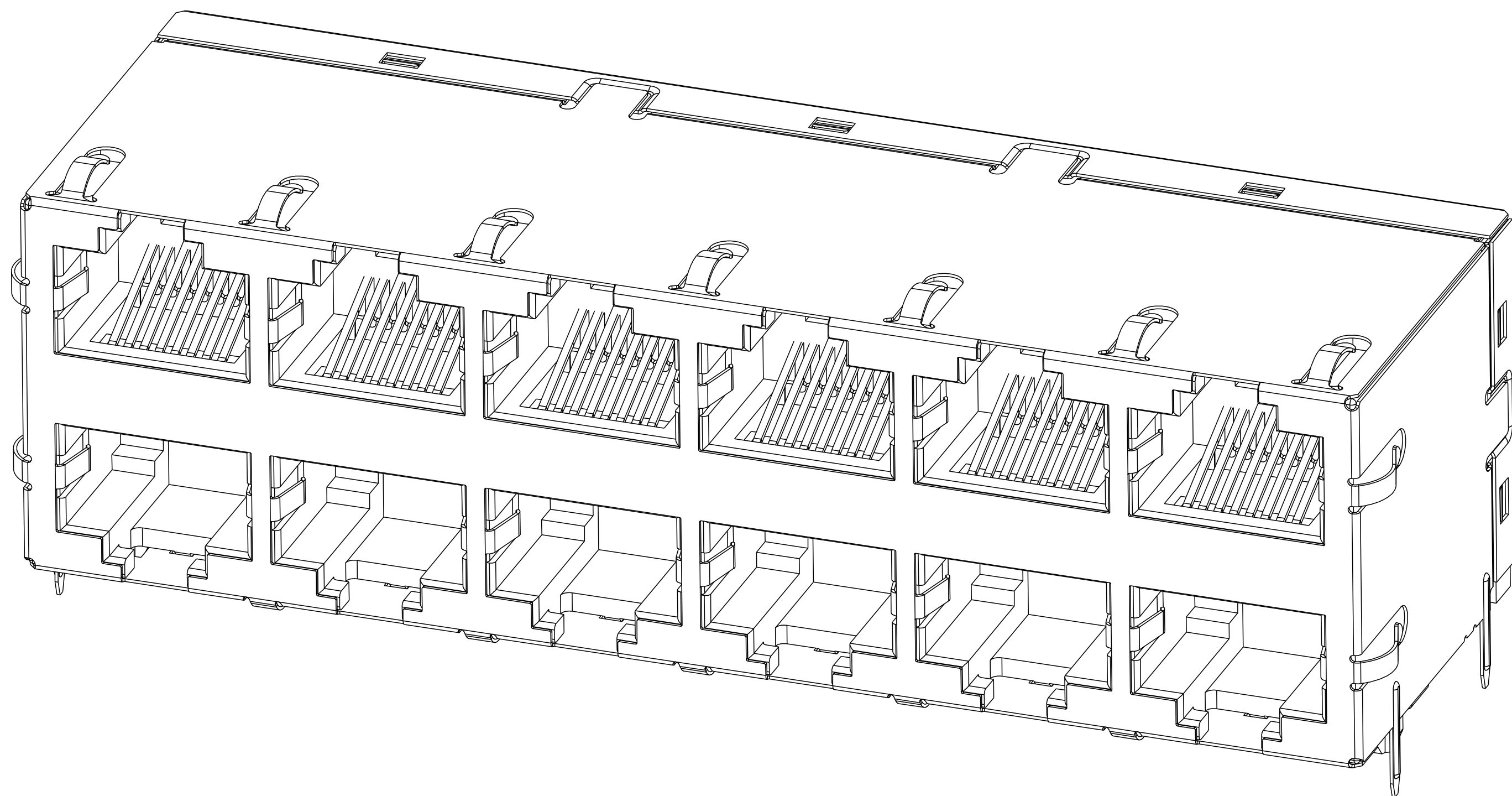


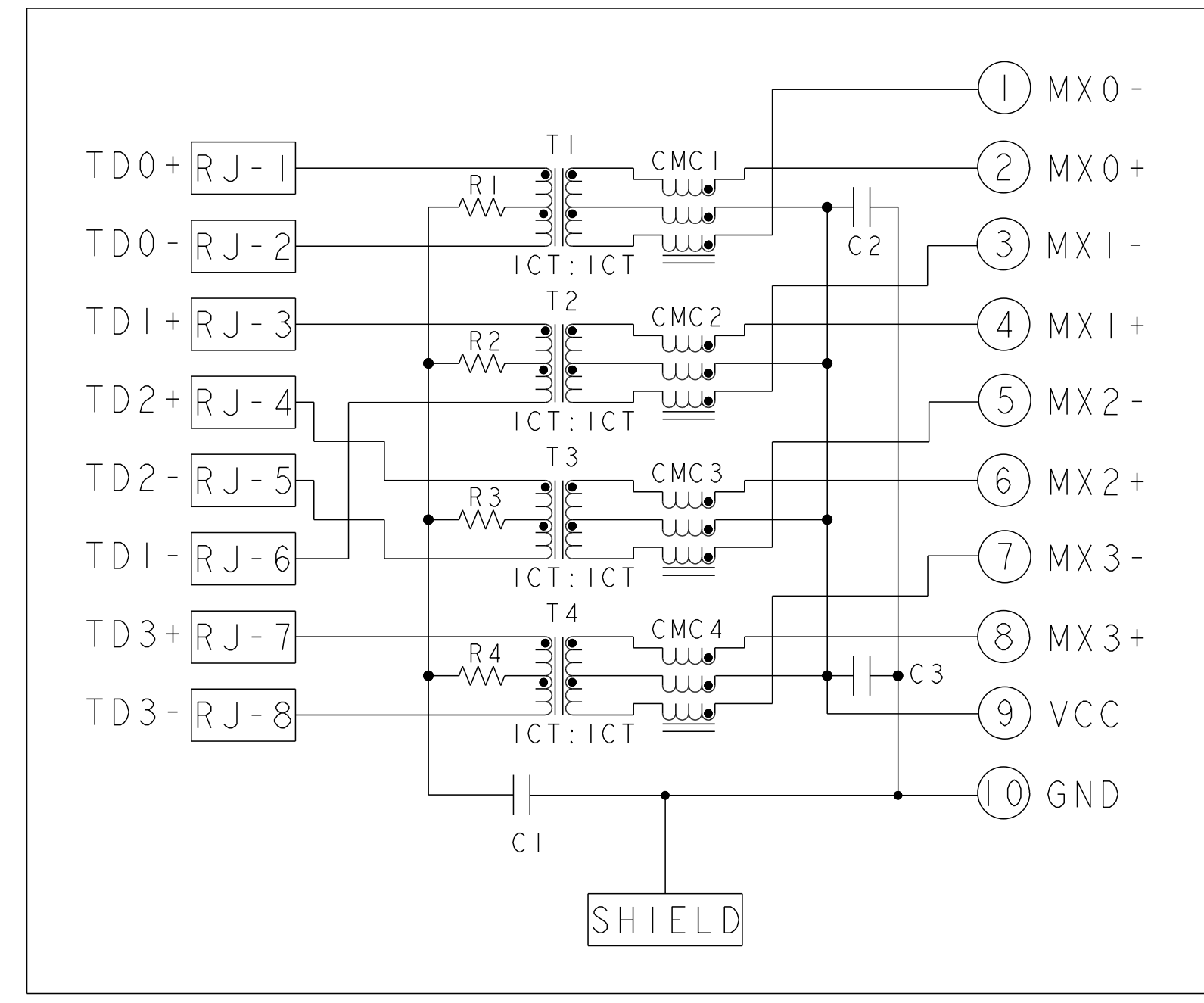
THIS DRAWING AND THE SUBJECT MATTER SHOWN THEREON ARE CONFIDENTIAL AND THE PROPERTY OF BEL/STEWART/TRP CONNECTOR AND SHALL NOT BE REPRODUCED, COPIED, OR USED IN ANY MANNER WITHOUT THE WRITTEN CONSENT OF TRP CONNECTOR.

PRODUCT MAY BE PROTECTED BY ONE OR MORE OF THE FOLLOWING US PATENTS:
 5736910 5939955 6425781 6428361 6554638 6840817 7123117
 7429195 7717749 7808751 6217391 6149050 7924130

REVISIONS					
P	LTR	DESCRIPTION	DATE	DWR	APVD
C		EC-1411035 COMPANY LOGO CHANGE	18DEC2014	GZ	TY



S8G56 GIGABIT CIRCUIT
 TOP AND BOTTOM PORTS

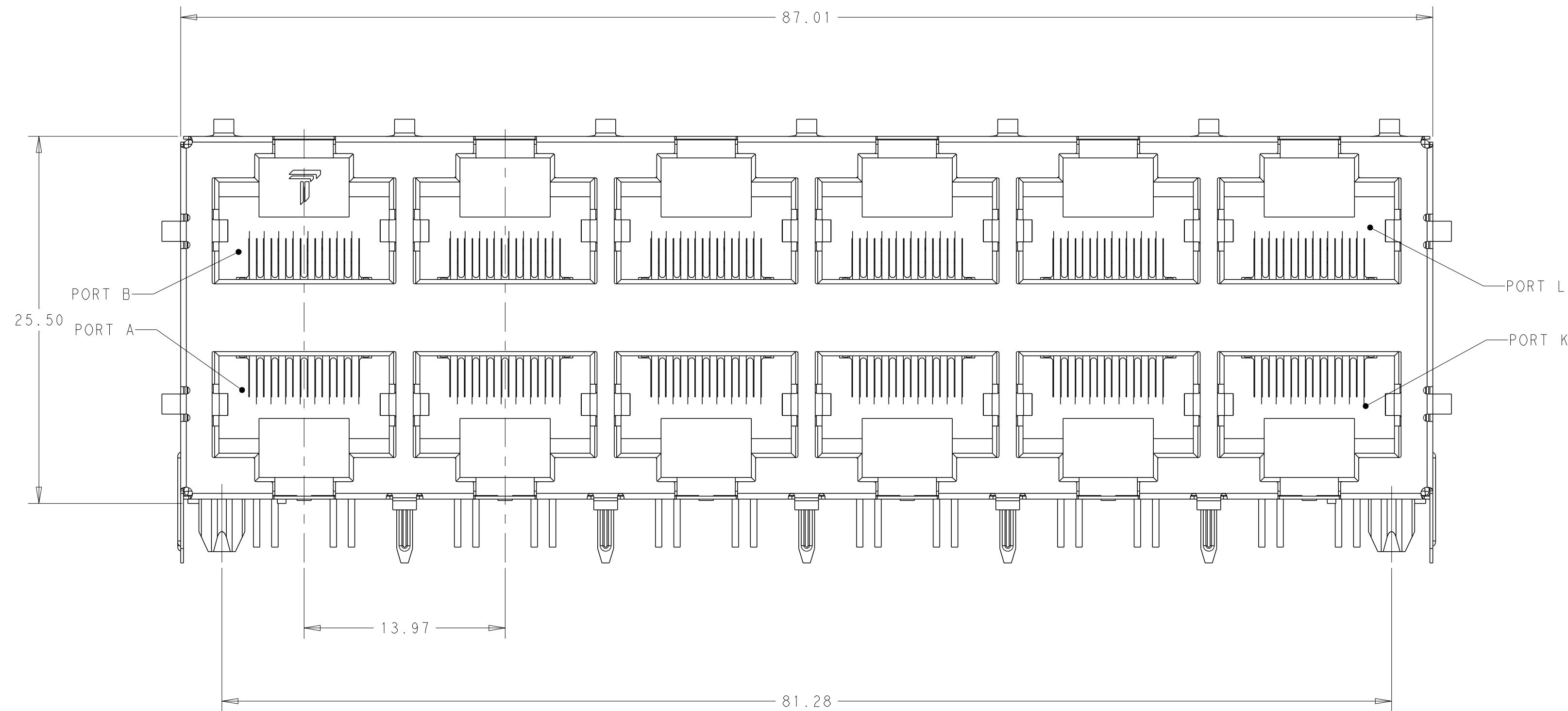
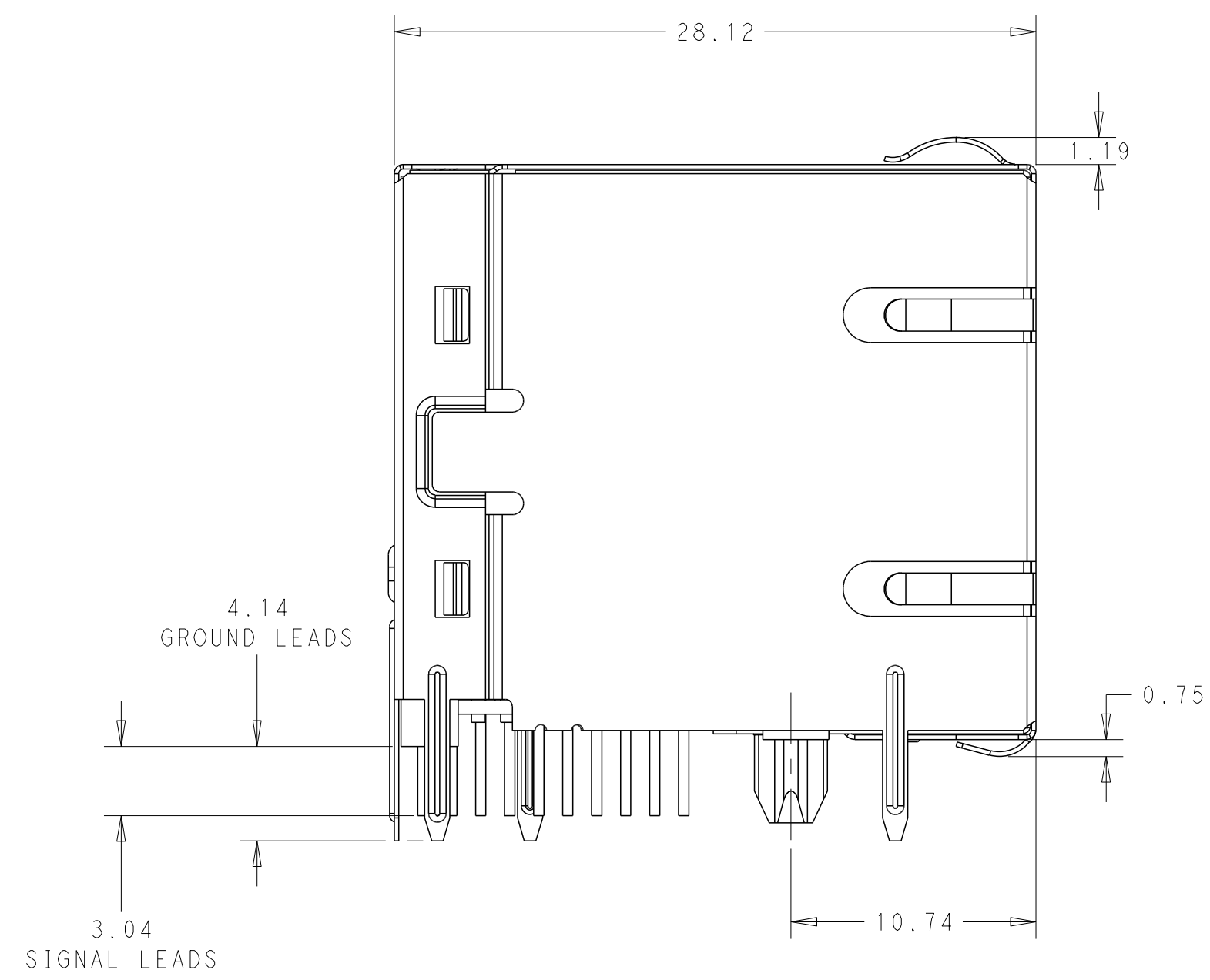
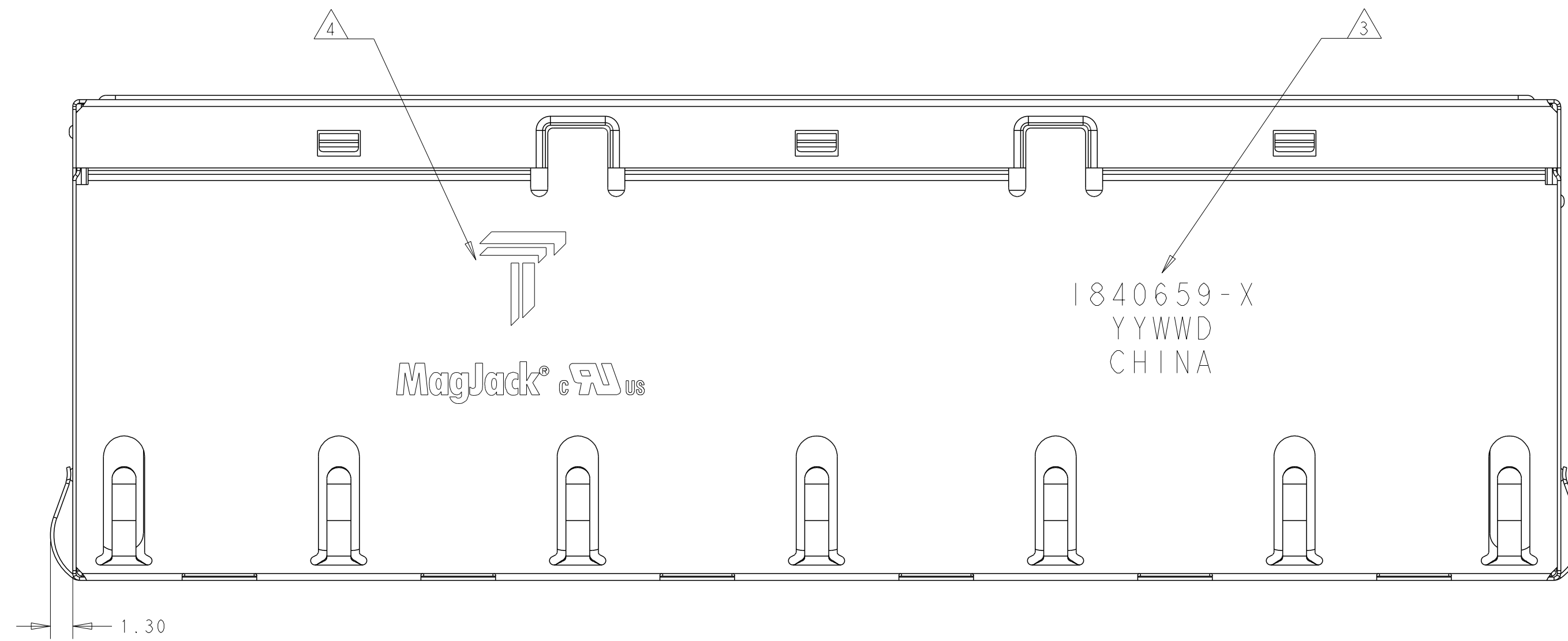


C1 = 1000pF, 2kV CAPACITOR
 C2 - C3 = 10nF, 50V CAPACITORS
 R1-R4 = 75 Ohms, 1/16 W, RESISTORS

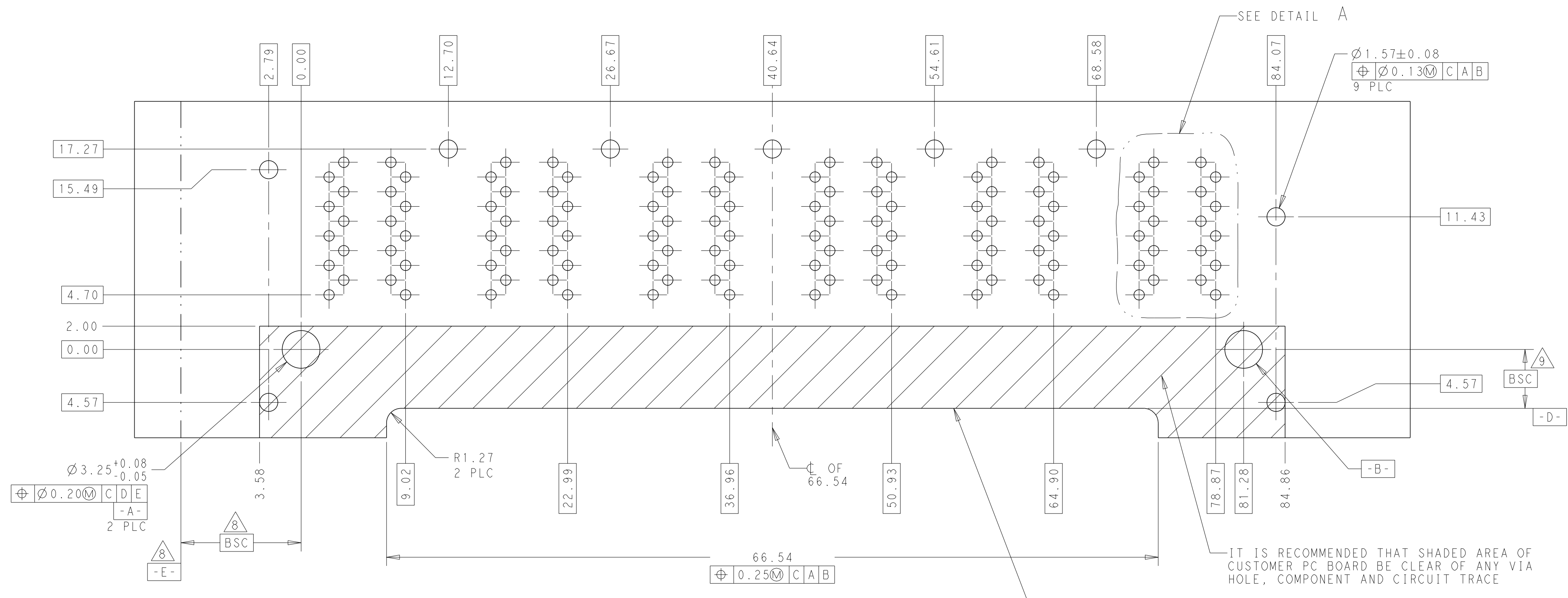
- MATERIALS:
 PLASTIC HOUSING: BLACK, THERMOPLASTIC FLAMMABILITY RATING UL 94V-0
 SHIELD: BRASS, PREPLATED WITH 0.76um MIN SEMI-BRIGHT NICKEL,
 POST DIPPED WITH 2.54um MIN SAC SOLDER ON SOLDER TAILS,
 CONTACTS: PHOSPHOR BRONZE, 1.27um MIN OVERALL NICKEL
 UNDERPLATE WITH SELECT 1.27um MIN GOLD AT MATING INTERFACE
 AND 2.54um MIN MATTE TIN ON SOLDER TAILS.
- MAGNETICS
 APPLICATION: 10/100/1000 BASE-T
 IMPEDANCE: 100 OHMS
 TURNS RATIO (CHIP:CABLE): 1:1 ALL FOUR PAIRS
 OPEN CIRCUIT INDUCTANCE (OCL): 350uH MIN @100kHz, 0.1VRMS,
 8mADC BIAS FROM 0°C TO 70°C, ALL FOUR PAIRS
 ALL FOUR PAIRS BI-DIRECTIONAL
 PERFORMANCE @ 25°C:
 INSERTION LOSS (IL): 1.1dB MAX FROM 0.5MHz TO 100MHz
 RETURN LOSS (RL): 18dB MIN FROM 0.5MHz TO 40MHz
 12-20LOG(f/80)dB MIN FROM 40.1MHz TO 100MHz
 CROSSTALK ATTENUATION: 35dB MIN FROM 0.5MHz TO 40MHz
 33-20LOG(f/50)dB MIN FROM 40.1MHz TO 100MHz
 COMMON MODE REJECTION RATIO (CMRR): 30dB MIN FROM 0.5MHz TO 100MHz
 ISOLATION VOLTAGE: 2250VDC(MAX) FOR 60 SECONDS WITH A RISE TIME OF
 500V/SEC AND WITH ALL PORTS CONNECTED.
- PART NUMBER, DATE CODE AND COUNTRY OF ORIGIN ARE LOCATED IN APPROXIMATE AREA SHOWN. DATE CODE: YYWWD "YY" IS YEAR, "WW" IS WORK WEEK, "D" IS DAY OF WEEK, WITH SUNDAY=1
- TRP CONNECTOR LOGO AND AGENCY APPROVAL LOGO ARE LOCATED IN APPROXIMATE AREA SHOWN.
- OPERATING TEMP: FROM 0°C TO +70°C.
- RJ45 CAVITY CONFORMS TO FCC RULES AND REGULATION PART 68 SUBPART F.
- INDICATED MAGNETIC CONNECTIONS ARE SYMMETRICAL AND SUPPORT AUTO-MDI/MDIX.
- DATUM AND BASIC DIMENSION ESTABLISHED BY CUSTOMER.
- BASIC DIMENSION ESTABLISHED BY CUSTOMER, BUT MAY NOT BE GREATER THAN 5.08mm.
- THE PARTS ARE RECOMMENDED FOR WAVE SOLDERING PROCESS, PEAK TEMPERATURE 260°C MAX, 10 SECONDS MAX.

1840659-1
 PART NUMBER

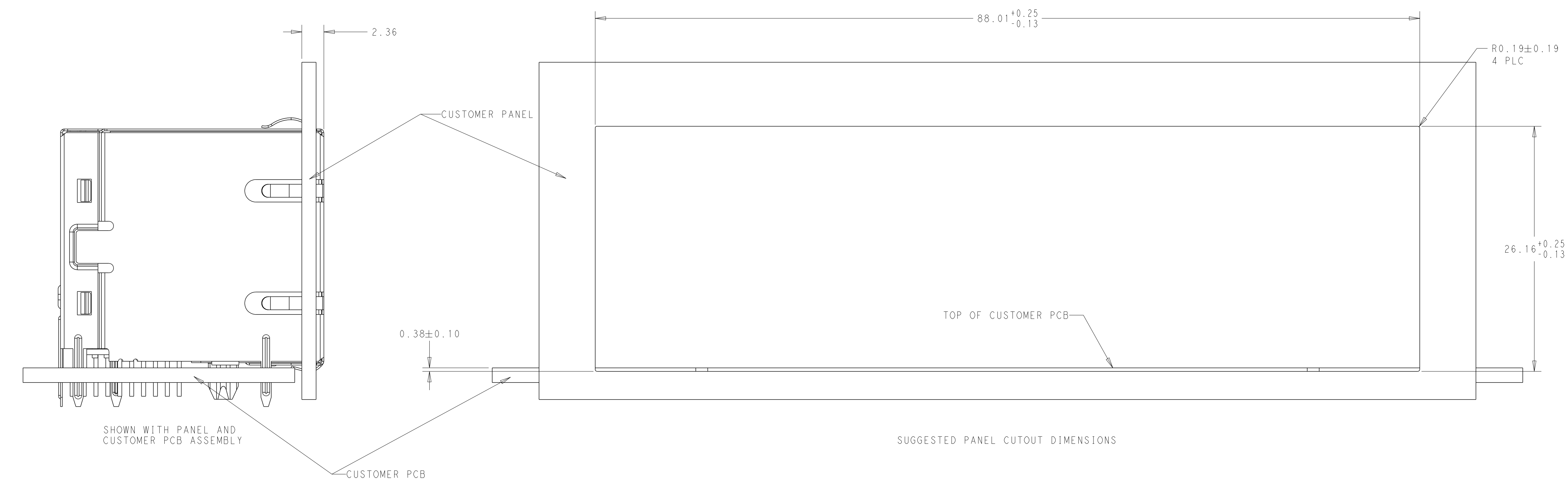
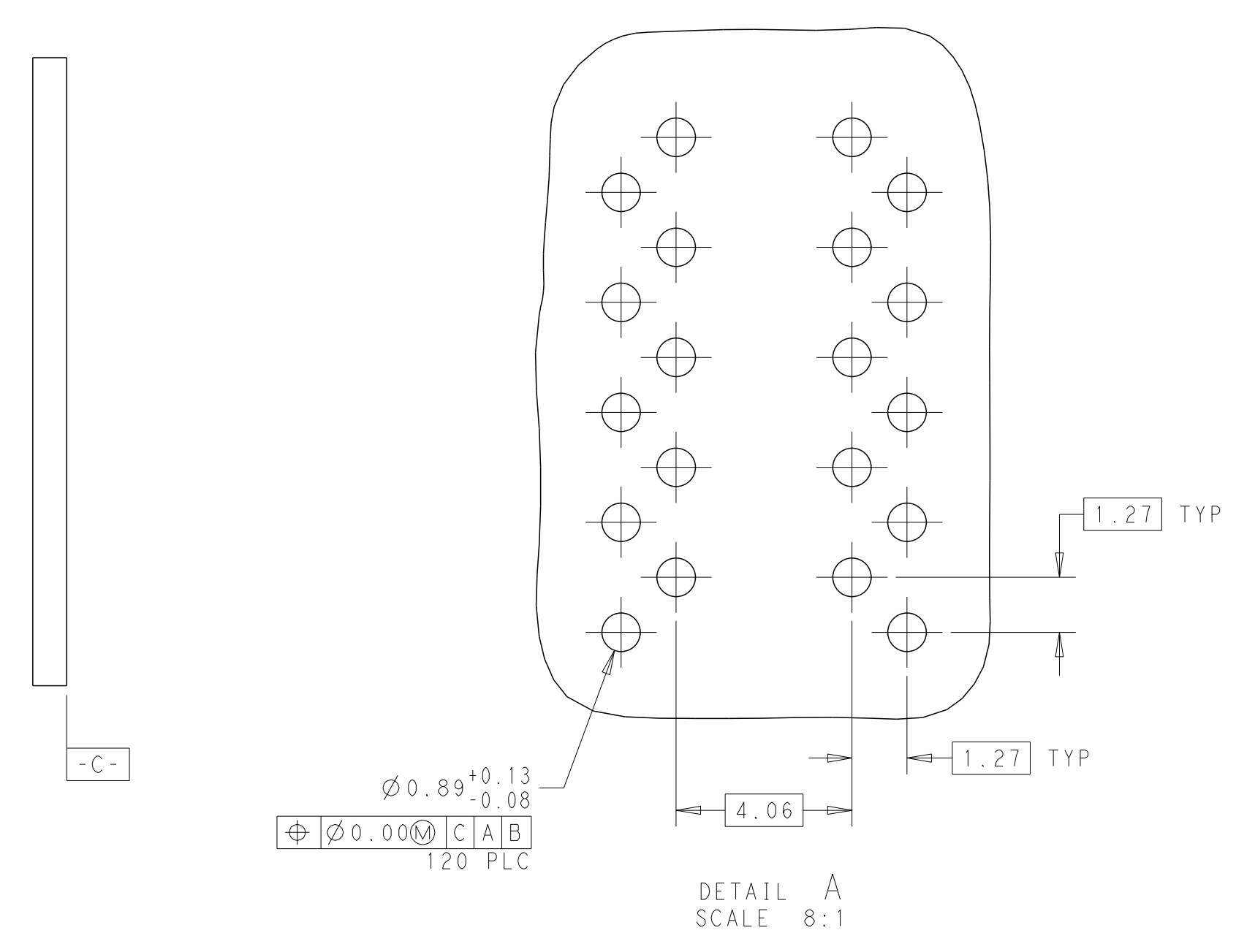
THIS DRAWING IS A CONTROLLED DOCUMENT.		DWR: TOMMY REN 18OCT2011	 DONGGUAN CHINA
DIMENSIONS: mm		CHK: TONY YUAN 18OCT2011	
TOLERANCES UNLESS OTHERWISE SPECIFIED: 0 PLC ±0.25 1 PLC ±0.25 2 PLC ±0.25 3 PLC ± 4 PLC ± ANGLES ±		APVD: KEITH ZHU 18OCT2011	
PRODUCT SPEC: 108-104004	APPLICATION SPEC: -	MODEL NAME: MAGJACK	DESC: 2X6 S8G56 GIGABIT W/O LED
CUSTOMER DRAWING		SIZE: A1	RESTRICTED TO: ZTE
		CAGE CODE: 1840659	SCALE: 4:1 SHEET 1 OF 4 REV C



THIS DRAWING IS A CONTROLLED DOCUMENT.		DRW: TOMMY REN 18OCT2011	 trp CONNECTOR DONGGUAN CHINA <small>a bel group</small>
DIMENSIONS: mm		CHK: TONY YUAN 18OCT2011	
TOLERANCES UNLESS OTHERWISE SPECIFIED:		APP'D: KEITH ZHU 18OCT2011	
0 PLC ±0.25	1 PLC ±0.25	2 PLC ±0.25	MODEL NAME
3 PLC ±	4 PLC ±	ANGLES ±	MAGJACK
PRODUCT SPEC 108-104004	APPLICATION SPEC		STACK Non-PoE
CUSTOMER DRAWING			DESC: 2X6 S8G56 GIGABIT W/O LED
SIZE: A1	CAGE CODE: C=1840659	DRAWING NO: 108-104004	RESTRICTED TO: ZTE
SCALE: 4:1	SHEET: 2 OF 4	REV: C	

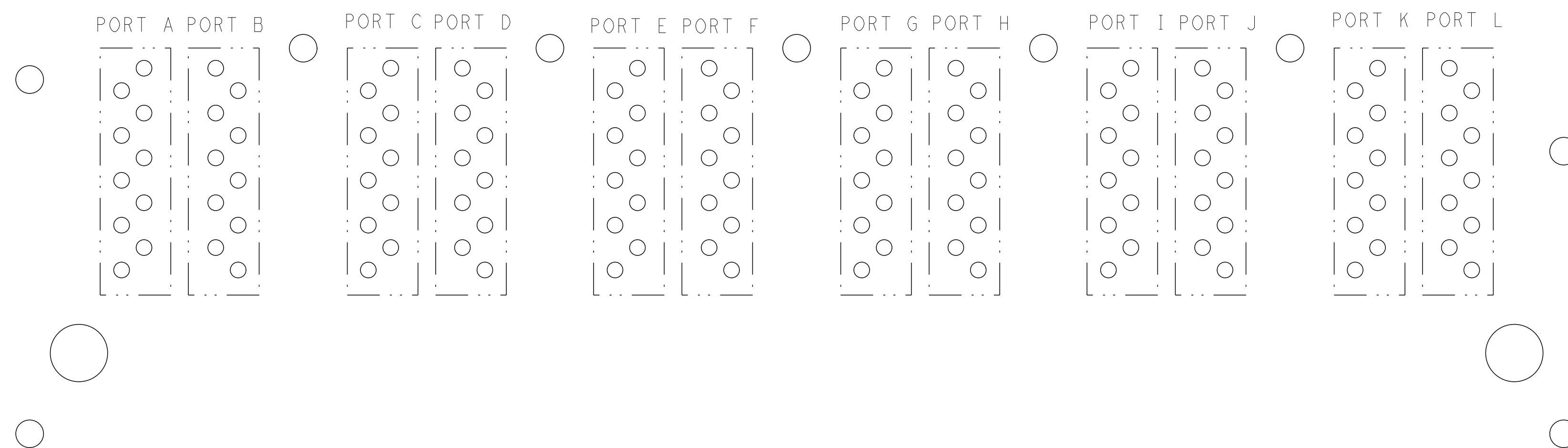


RECOMMENDED PCB LAYOUT COMPONENT SIDE VIEW
 RECOMMENDED PCB FRONT EDGE CUTOUT: THE BOTTOM SHIELD GROUND TABS(FRONT) SHOULD NOT BE SEATED ON THE TOP OF THE PCB


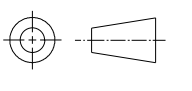


SUGGESTED PANEL CUTOUT DIMENSIONS

THIS DRAWING IS A CONTROLLED DOCUMENT.		DRW: TOMMY REN 18OCT2011	DONGGUAN CHINA a bel group
DIMENSIONS: mm		CHK: TONY YUAN 18OCT2011	
		APP'D: KEITH ZHU 18OCT2011	
TOLERANCES UNLESS OTHERWISE SPECIFIED: 0 PLC ±0.25 1 PLC ±0.25 2 PLC ±0.25 3 PLC ±0.25 4 PLC ±0.25 ANGLES ±°		MODEL NAME: MAGJACK	DESC: 2X6 S8G56 GIGABIT W/O LED
PRODUCT SPEC: 108-104004		APPLICATION SPEC: -	SIZE: A1 CAGE CODE: 1840659 DRAWING NO: 1840659 RESTRICTED TO: ZTE CUSTOMER DRAWING
SCALE: 4:1			SHEET 3 OF 4 REV C



PORT ASSIGNMENT
COMPONENT SIDE VIEW

THIS DRAWING IS A CONTROLLED DOCUMENT.		DRW: TOMMY REN 18OCT2011	 trp CONNECTOR <small>a bel group</small>	DONGGUAN CHINA
DIMENSIONS: mm		CHK: TONY YUAN 18OCT2011		
		APP'D: KEITH ZHU 18OCT2011		
PRODUCT SPEC 108-104004	TOLERANCES UNLESS OTHERWISE SPECIFIED: 0 PLC ±0.25 1 PLC ±0.25 2 PLC ±0.25 3 PLC ± 4 PLC ± ANGLES ±	MODEL NAME MAGJACK	DESC 2X6 S8G56 GIGABIT W/O LED	RESTRICTED TO ZTE
APPLICATION SPEC		STACK Non-PoE	SIZE A1 CAGE CODE DRAWING NO. C=1840659	SCALE 4:1 SHEET 4 OF 4 REV C
CUSTOMER DRAWING				