

1. MATERIALS:
 HOUSING: BLACK, THERMOPLASTIC FLAMMABILITY RATING UL 94V-0
 SHIELD: BRASS, PREPLATED WITH 0.76um MIN SEMI-BRIGHT NICKEL, POST DIPPED WITH 2.54um MIN SAC SOLDER ON SOLDER TAILS.
 CONTACTS: PHOSPHOR BRONZE, 1.27um MIN OVERALL NICKEL UNDERPLATE WITH SELECT 1.27um MIN GOLD AT MATING INTERFACE AND 2.54um MIN MATTE TIN ON SOLDER TAILS.

2. MAGNETICS
 APPLICATION: 10/100 BASE-T, PoE PLUS
 IMPEDANCE: 100 OHMS
 TURNS RATIO (CHIP:CABLE): TX = 1:1, RX = 1:1
 OPEN CIRCUIT INDUCTANCE (OCL):
 350uH MIN @100kHz, 0.1VRMS, 8mADC BIAS FROM 0°C TO 70°C, TX AND RX
 120uH MIN @100kHz, 0.1VRMS, 19mADC BIAS FROM 0°C TO 70°C, TX AND RX
 POE CURRENT: 600mADC MAX
 PERFORMANCE @ 25°C:
 INSERTION LOSS (IL): 1.1dB MAX FROM 0.5MHz TO 100MHz
 RETURN LOSS (RL): 18dB MIN FROM 0.5MHz TO 30MHz
 18-20LOG(f/30)dB MIN FROM 30.1MHz TO 60MHz
 12dB MIN FROM 60.1MHz TO 80MHz
 CROSSTALK ATTENUATION: 35dB MIN FROM 0.5MHz TO 40MHz
 33-20LOG(f/50)dB MIN FROM 40.1MHz TO 100MHz
 COMMON MODE REJECTION RATIO (CMRR): 30dB MIN FROM 0.5MHz TO 100MHz
 ISOLATION VOLTAGE: 2250VDC(MAX) FOR 60 SECONDS WITH A RISE TIME OF 500V/SEC AND WITH ALL PORTS CONNECTED.

3. PART NUMBER, DATE CODE AND COUNTRY OF ORIGIN ARE LOCATED IN APPROXIMATE AREA SHOWN. DATE CODE: YYWW "YY" IS YEAR, "WW" IS WORK WEEK, "D" IS DAY OF WEEK, WITH SUNDAY=1

4. TRP CONNECTOR LOGO AND AGENCY APPROVAL LOGO ARE LOCATED IN APPROXIMATE AREA SHOWN.

5. OPERATING TEMP: FROM 0°C TO +70°C.

6. RJ45 CAVITY CONFORMS TO FCC RULES AND REGULATION PART 68 SUBPART F.

7. INDICATED MAGNETIC CONNECTIONS ARE SYMMETRICAL AND SUPPORT AUTO-MDI/MDIX.

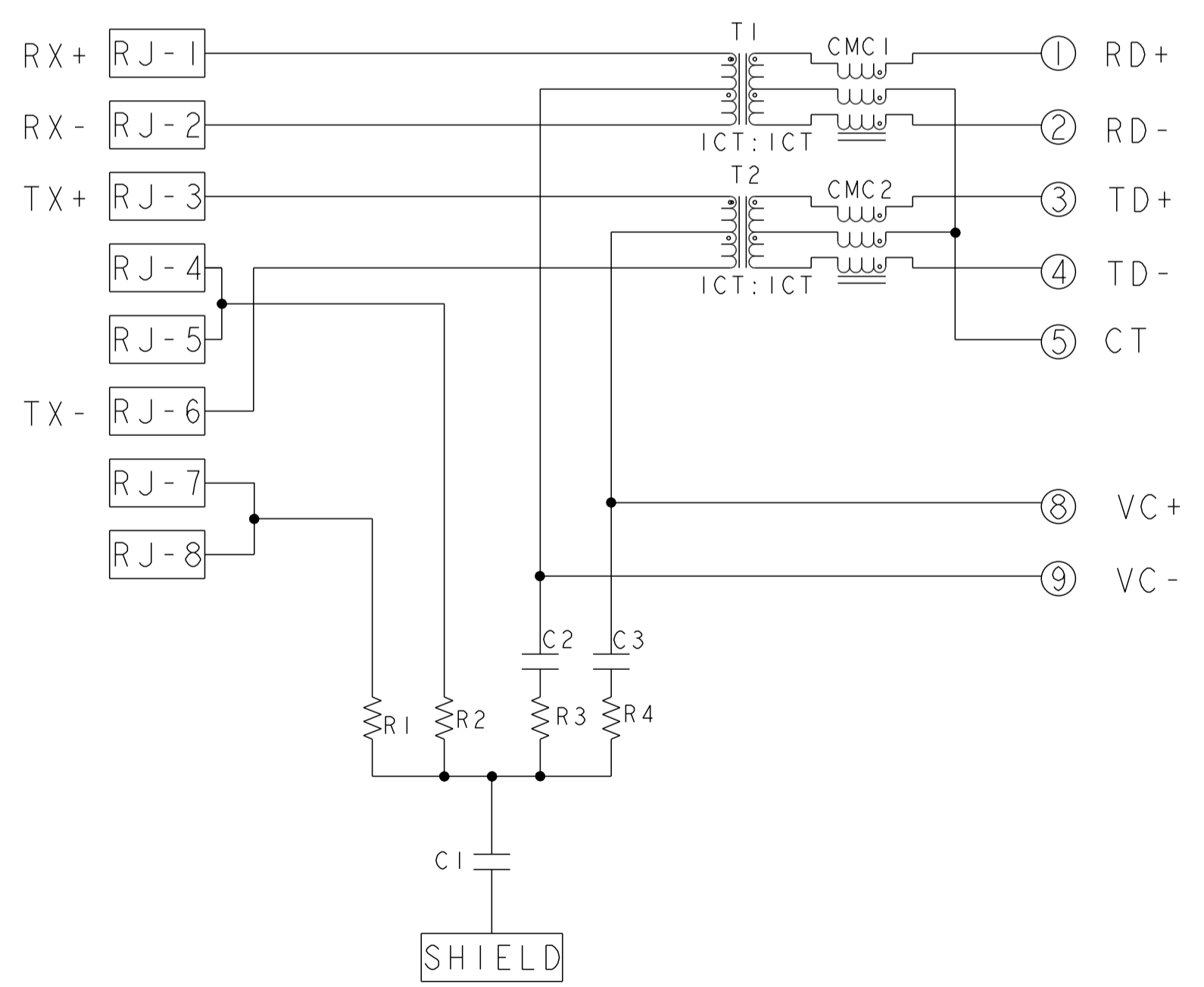
8. DATUM AND BASIC DIMENSION ESTABLISHED BY CUSTOMER.

9. BASIC DIMENSION ESTABLISHED BY CUSTOMER, BUT MAY NOT BE GREATER THAN 5.08mm.

10. THE PARTS ARE RECOMMENDED FOR WAVE SOLDERING PROCESS, PEAK TEMPERATURE 260°C MAX, 10 SECONDS MAX.

S8H108 10/100 PoE PLUS CIRCUIT

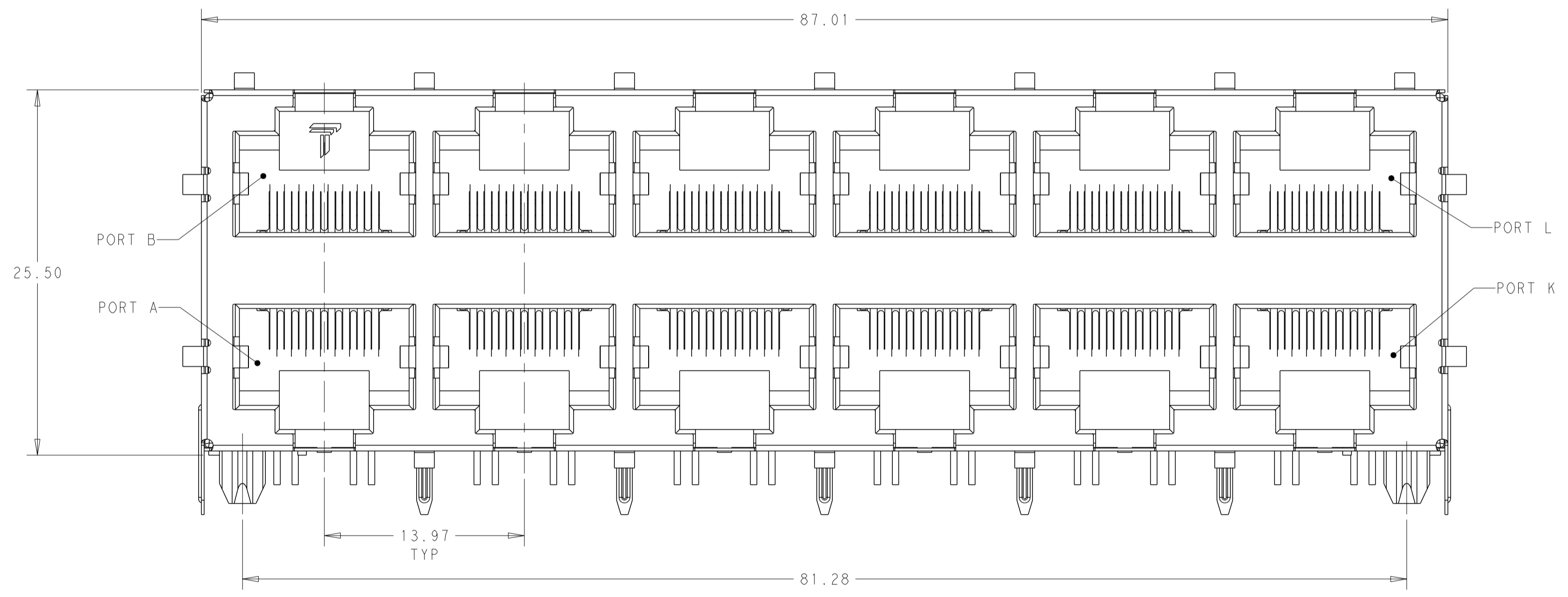
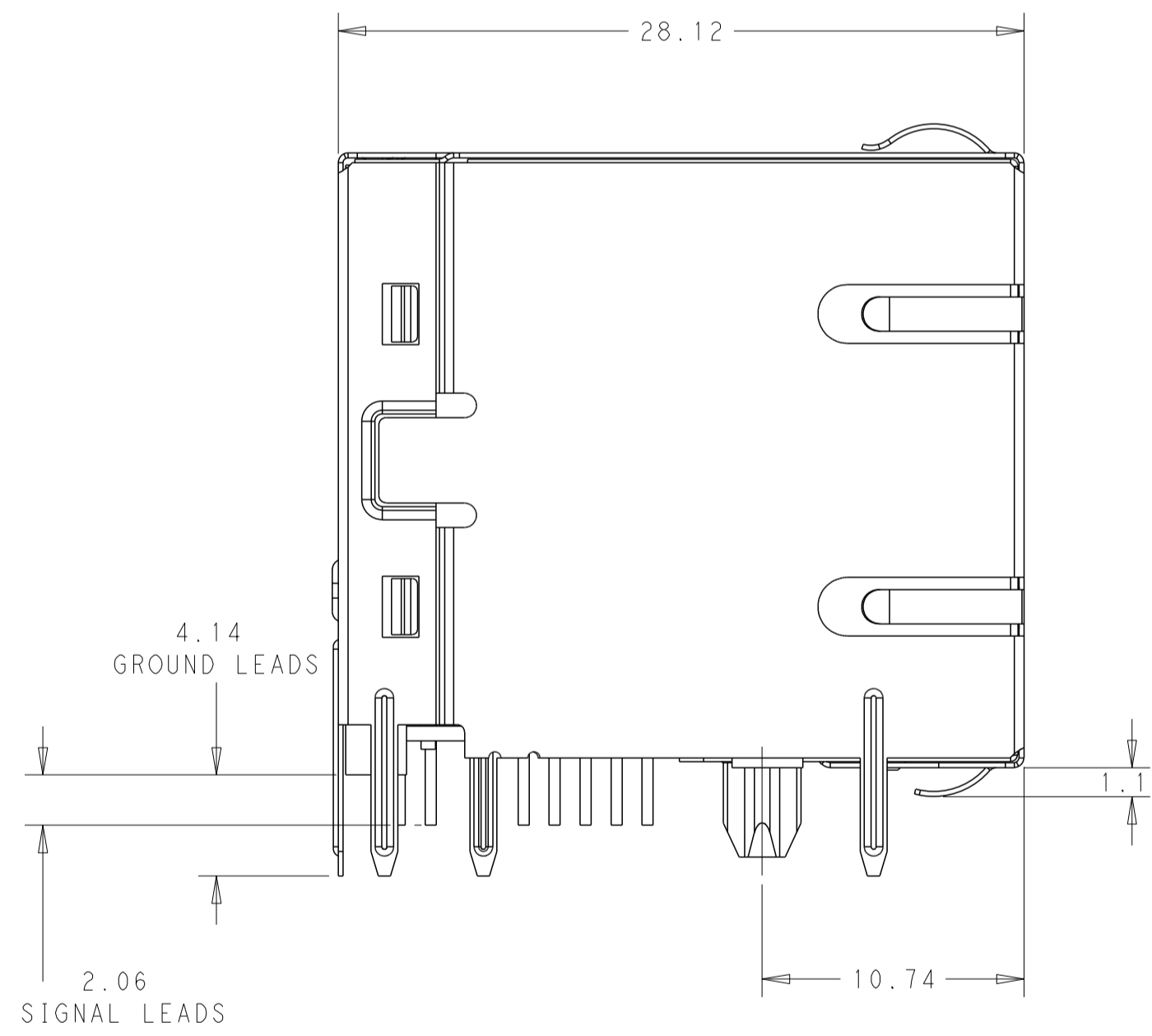
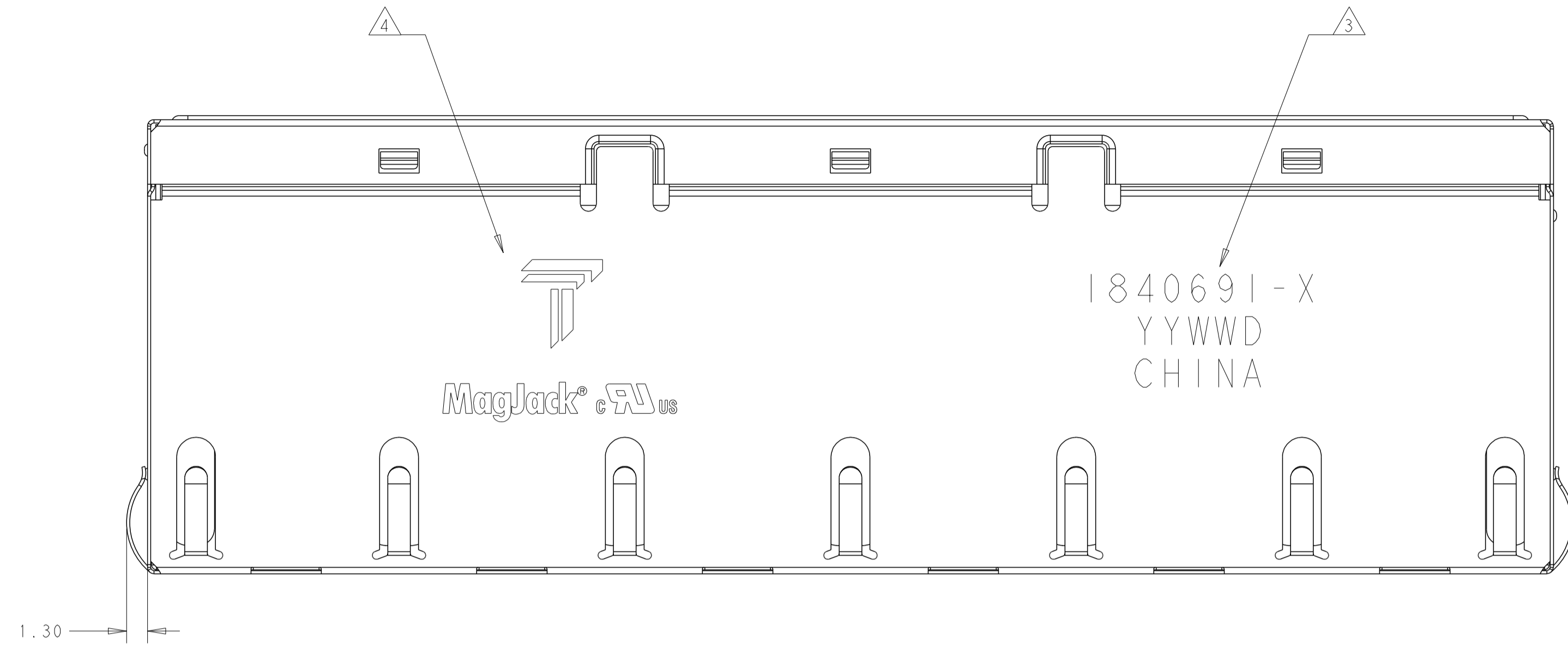
TOP AND BOTTOM PORTS



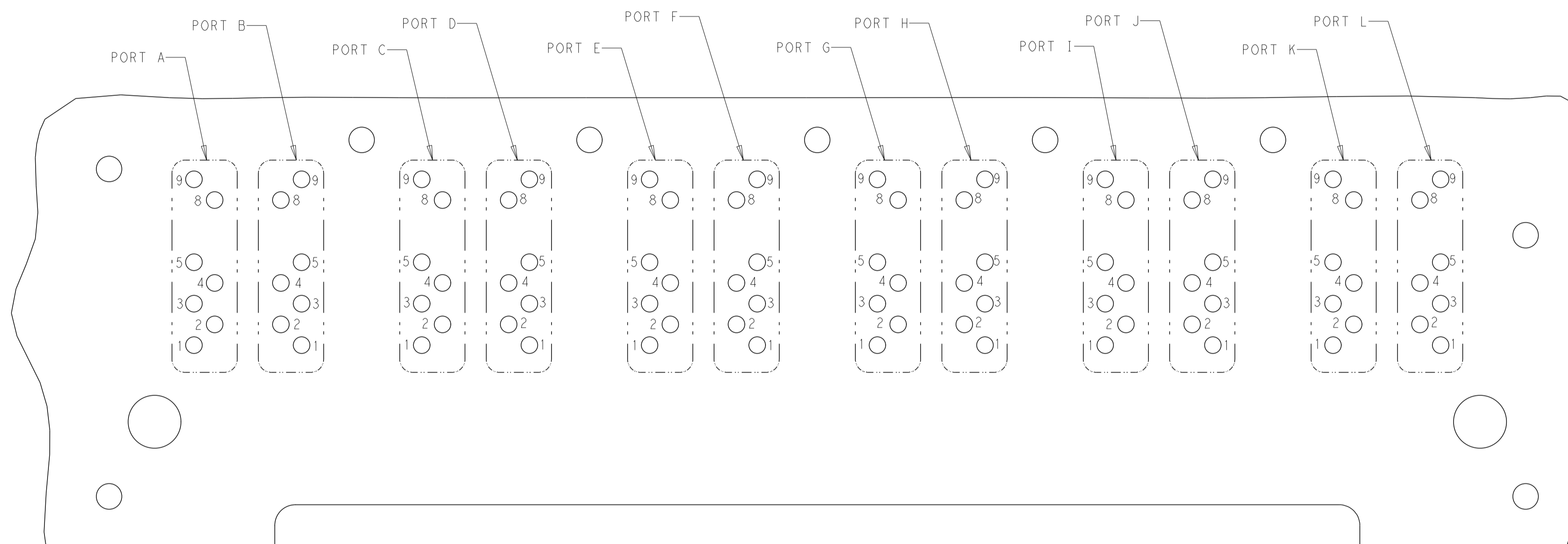
C1 = 1000pF, 2KV, DECOUPLING CAP
 C2 - C3 = 22nF, 100V, CAPACITORS
 R1 - R4 = 75 Ohms, RESISTORS

1840691-1
PART NUMBER


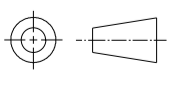
THIS DRAWING IS A CONTROLLED DOCUMENT.		DRW: TOMMY REN 30JAN2012		DONGGUAN CHINA
DIMENSIONS: mm		CHK: TONY YUAN 30JAN2012		
TOLERANCES UNLESS OTHERWISE SPECIFIED:		APPD: KEITH ZHU 30JAN2012		
0 PLC ±0.25 1 PLC ±0.25 2 PLC ±0.25 3 PLC ± 4 PLC ± ANGLES ±		MODEL NAME: MAGJACK STACK PoE+	DESC: 2X6 S8H108 10/100 PoE+ W/O LED	RESTRICTED TO: -
PRODUCT SPEC: 108-104004	APPLICATION SPEC: -	SIZE: A1	CAGE CODE: C=1840691	SCALE: NTS
CUSTOMER DRAWING			SHEET 1 OF 4	REV 3



THIS DRAWING IS A CONTROLLED DOCUMENT.		DRW: TOMMY REN 30JAN2012	<p>trp CONNECTOR a bel group</p> <p>DONGGUAN CHINA</p>													
DIMENSIONS: mm		CHK: TONY YUAN 30JAN2012														
TOLERANCES UNLESS OTHERWISE SPECIFIED:		APP'D: KEITH ZHU 30JAN2012														
<table border="1"> <tr><td>0 PLC</td><td>±0.25</td></tr> <tr><td>1 PLC</td><td>±0.25</td></tr> <tr><td>2 PLC</td><td>±0.25</td></tr> <tr><td>3 PLC</td><td>±0.25</td></tr> <tr><td>4 PLC</td><td>±</td></tr> <tr><td>ANGLES</td><td>±</td></tr> <tr><td>APPLICATION SPEC</td><td>±</td></tr> </table>		0 PLC		±0.25	1 PLC	±0.25	2 PLC	±0.25	3 PLC	±0.25	4 PLC	±	ANGLES	±	APPLICATION SPEC	±
0 PLC	±0.25															
1 PLC	±0.25															
2 PLC	±0.25															
3 PLC	±0.25															
4 PLC	±															
ANGLES	±															
APPLICATION SPEC	±															
PRODUCT SPEC 108-104004		MAGJACK STACK PoE+	DESC 2X6 S8H108 10/100 PoE+ W/O LED													
CUSTOMER DRAWING		SIZE A1	RESTRICTED TO -													
		SCALE NTS	SHEET 2 OF 4 REV 3													



PORT DESIGNATIONS
VIEWED FROM COMPONENT SIDE

THIS DRAWING IS A CONTROLLED DOCUMENT.		DRW: TOMMY REN 30JAN2012	 trp CONNECTOR <small>a bel group</small>	DONGGUAN CHINA	
DIMENSIONS: mm		CHK: TONY YUAN 30JAN2012		DESC: 2X6 S8H108 10/100 PoE+ W/O LED	RESTRICTED TO
		APP'D: KEITH ZHU 30JAN2012		SIZE: A1	CAGE CODE: C=1840691
PRODUCT SPEC: 108-104004	TOLERANCES UNLESS OTHERWISE SPECIFIED: 0 PLC ±0.25 1 PLC ±0.25 2 PLC ±0.25 3 PLC ± 4 PLC ± ANGLES ±	MODEL NAME: MAGJACK STACK PoE+	SCALE: NTS	SHEET 4 OF 4	
APPLICATION SPEC: -		CUSTOMER DRAWING	REV: 3		