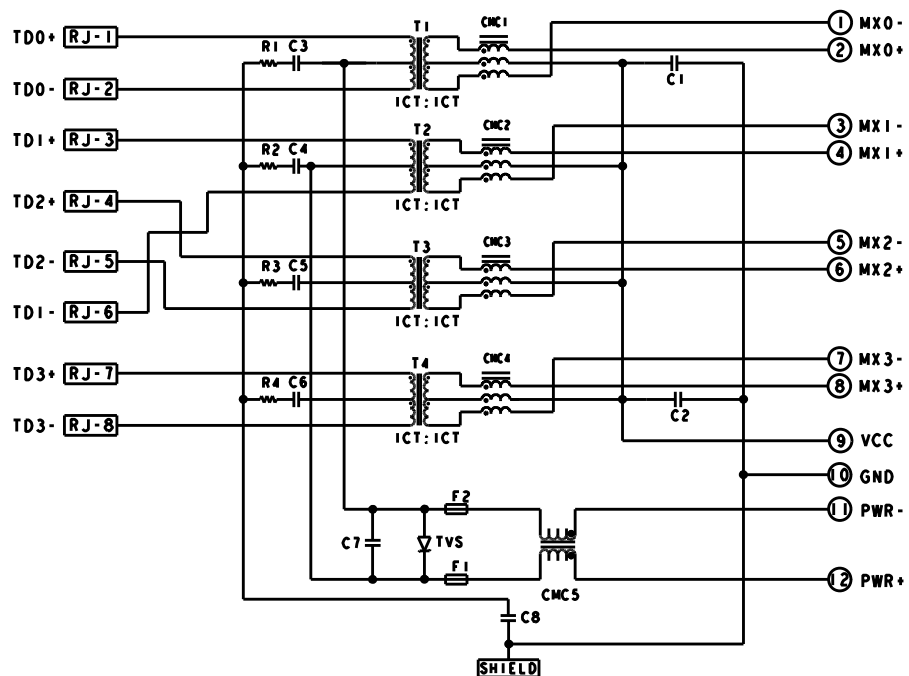
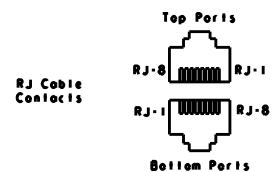
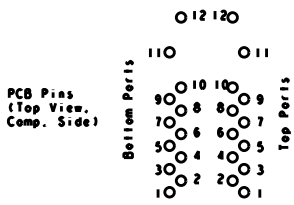


S9HG43 GIGABIT PoE PLUS CIRCUIT

Top and Bottom Ports



Pin Designations
 (Repeat for each vertical pair of ports)



- C1 - C2 = 10nF, 50V, ±10% X7R
- C3 - C6 = 22nF, 100V, ±10%
- C7 = 100nF, 100V, ±10%
- C8 = 1000pF, 2KV, ±10%
- R1 - R4 = 75 Ohms, ±5%, 1/16W
- TVS = P6SMB68AT3G OR SM6T68A
- F1 - F2 = 125V, 1.5A

1. MATERIALS:
 PLASTIC HOUSING: BLACK, THERMOPLASTIC FLAMMABILITY RATING UL 94V-0
 SHIELD: BRASS, PREPLATED WITH 0.76um MIN SEMI-BRIGHT NICKEL,
 POST DIPPED WITH 2.54um MIN SAC SOLDER ON SOLDER TAILS,
 CONTACTS: PHOSPHOR BRONZE, 1.27um MIN OVERALL NICKEL
 UNDERPLATE WITH SELECT 1.27um MIN GOLD AT MATING INTERFACE
 AND 2.54um MIN MATTE TIN ON SOLDER TAILS.
 ALL PC BOARDS: HIGH TEMPERATURE PCB, TG>170°C
- MAGNETICS
 APPLICATION: 10/100/1000 BASE-T, PoE PLUS
 IMPEDANCE: 100 OHMS
 TURNS RATIO (CHIP:CABLE): 1:1 ALL FOUR PAIRS
 OPEN CIRCUIT INDUCTANCE (OCL): 350uH MIN @100kHz, 0.1VRMS,
 24mADC BIAS FROM 0°C TO 70°C, ACROSS RJ1-RJ2 & RJ3-RJ6
 8mADC BIAS FROM 0°C TO 70°C, ACROSS RJ4-RJ5 & RJ7-RJ8
 ALL FOUR PAIRS BI-DIRECTIONAL
 POE CURRENT: 600mADC MAX
 PERFORMANCE @ 25°C:
 INSERTION LOSS (IL): 1.1dB MAX FROM 0.5MHz TO 100MHz
 RETURN LOSS (RL): 18dB MIN FROM 0.5MHz TO 40MHz
 12-20LOG(f/80)dB MIN FROM 40.1MHz TO 100MHz
 CROSSTALK ATTENUATION: 35dB MIN FROM 0.5MHz TO 40MHz
 33-20LOG(f/50)dB MIN FROM 40.1MHz TO 100MHz
 COMMON MODE REJECTION RATIO (CMRR): 30dB MIN FROM 0.5MHz TO 100MHz
 ISOLATION VOLTAGE: 2250VDC(MAX) FOR 60 SECONDS WITH A RISE TIME OF
 500V/SEC AND WITH ALL PORTS CONNECTED.
- PART NUMBER, DATE CODE AND COUNTRY OF ORIGIN ARE
 LOCATED IN APPROXIMATE AREA SHOWN.
- TRP LOGO AND AGENCY APPROVAL LOGO ARE
 LOCATED IN APPROXIMATE AREA SHOWN.
5. OPERATING TEMP: FROM 0°C TO +70°C.
6. RJ45 CAVITY CONFORMS TO FCC RULES AND REGULATION PART 68 SUBPART F.
- INDICATED MAGNETIC CONNECTIONS ARE SYMMETRICAL AND
 SUPPORT AUTO-MDI/MDIX.
- DATUM AND BASIC DIMENSION ESTABLISHED BY CUSTOMER.
- BASIC DIMENSION ESTABLISHED BY CUSTOMER, BUT MAY NOT BE
 GREATER THAN 5.08mm.
10. THE PARTS ARE RECOMMENDED FOR WAVE SOLDERING PROCESS,
 PEAK TEMPERATURE 260°C MAX, 10 SECONDS MAX.

1840926-1
 PART NUMBER

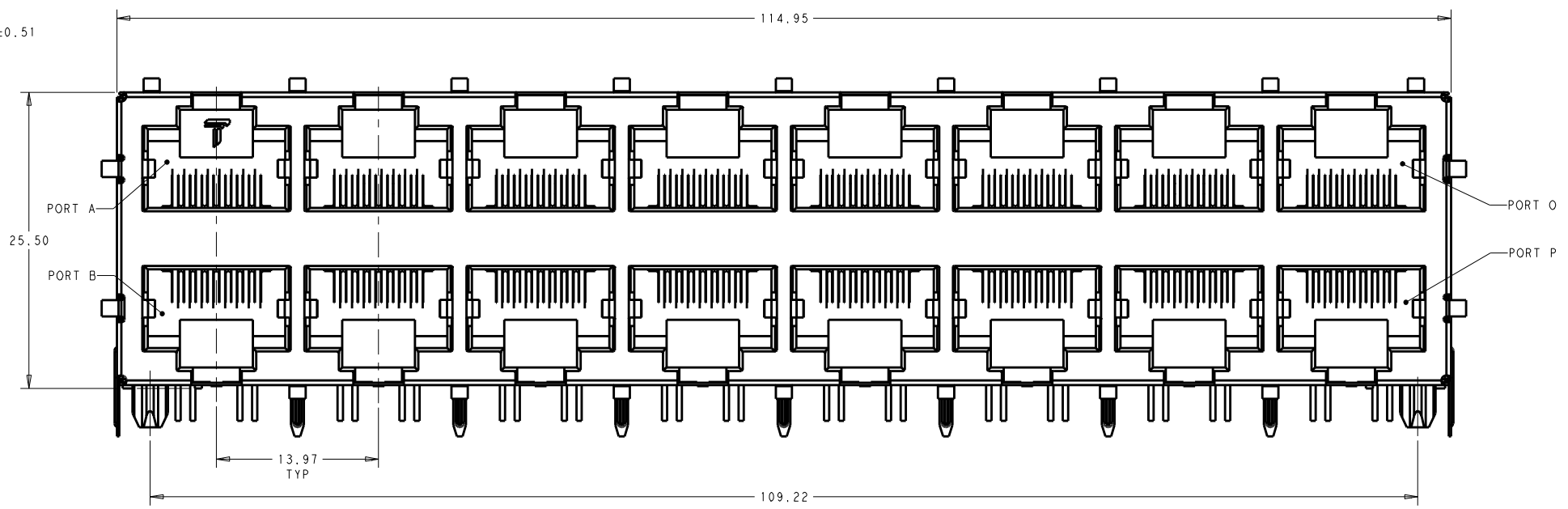
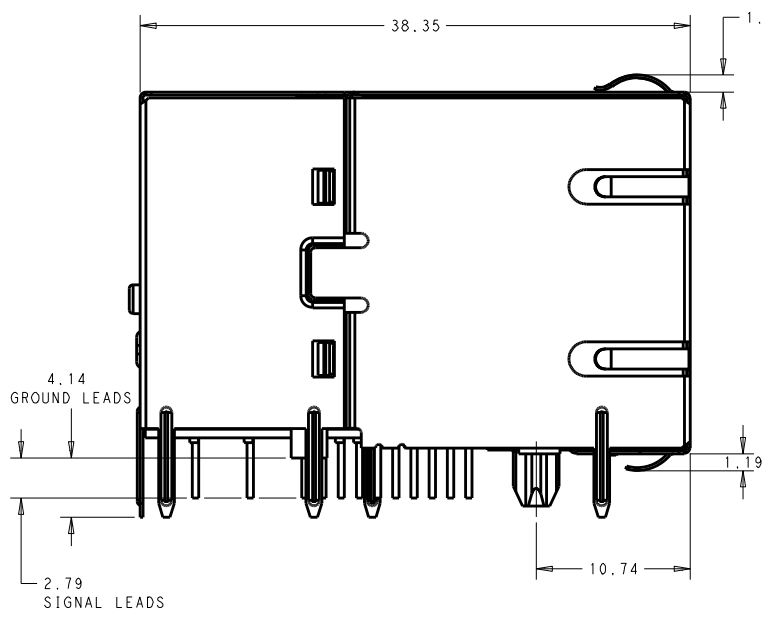
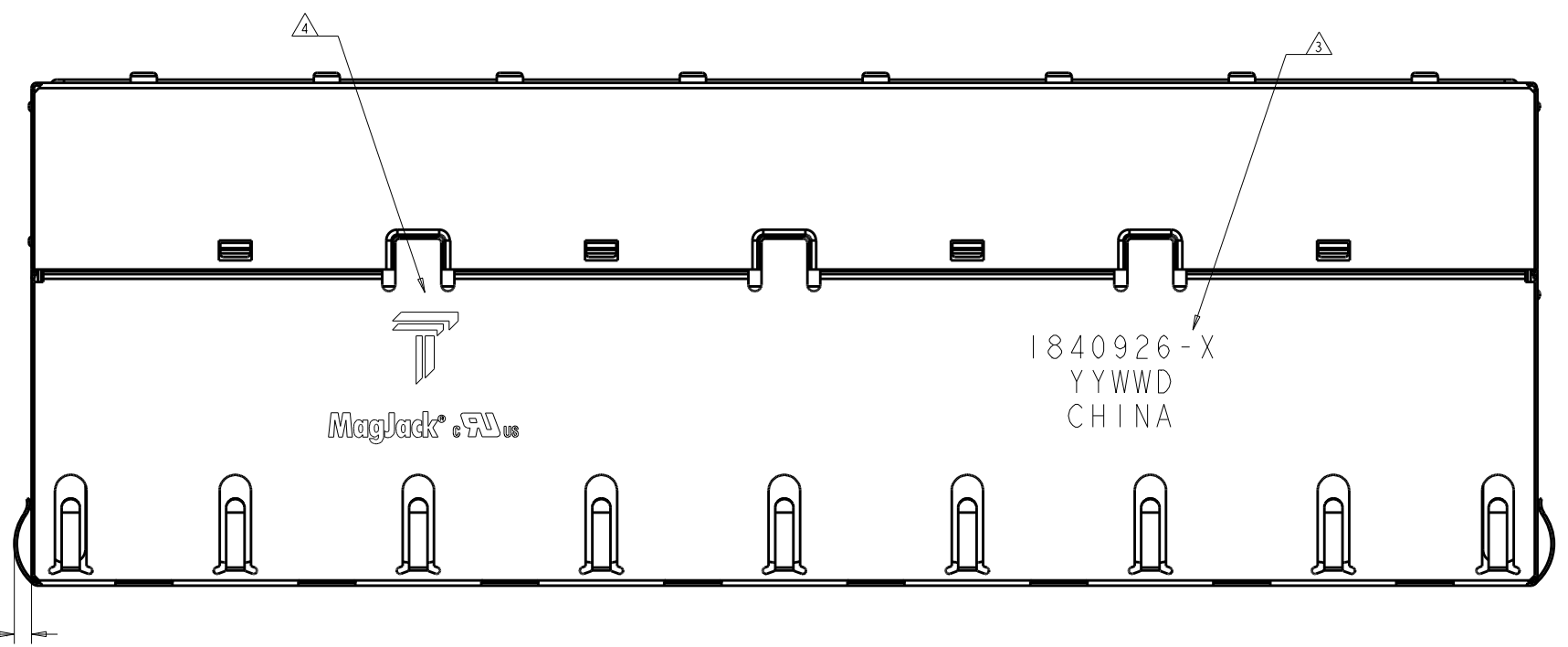
THIS DRAWING IS A CONTROLLED DOCUMENT.		DRN: TOMMY REN 05JAN2010	DONGGUAN CHINA
DIMENSIONS: mm		CHK: TONY YUAN 05JAN2010	
TOLERANCES UNLESS OTHERWISE SPECIFIED:		APVD: KELTH ZHU 05JAN2010	
	0 PLC ± 1 PLC ± 2 PLC ±0.25 3 PLC ± 4 PLC ±	MODEL NAME: MAGJACK	DESC: 2X8 S9HG43 GIGABIT PoE PLUS W/O LED
PRODUCT SPEC: 108-104004	APPLICATION SPEC:	SIZE: A1	RESTRICTED TO:
Customer Drawing		SCALE: NTS	SHEET 1 OF 3 REV D

D

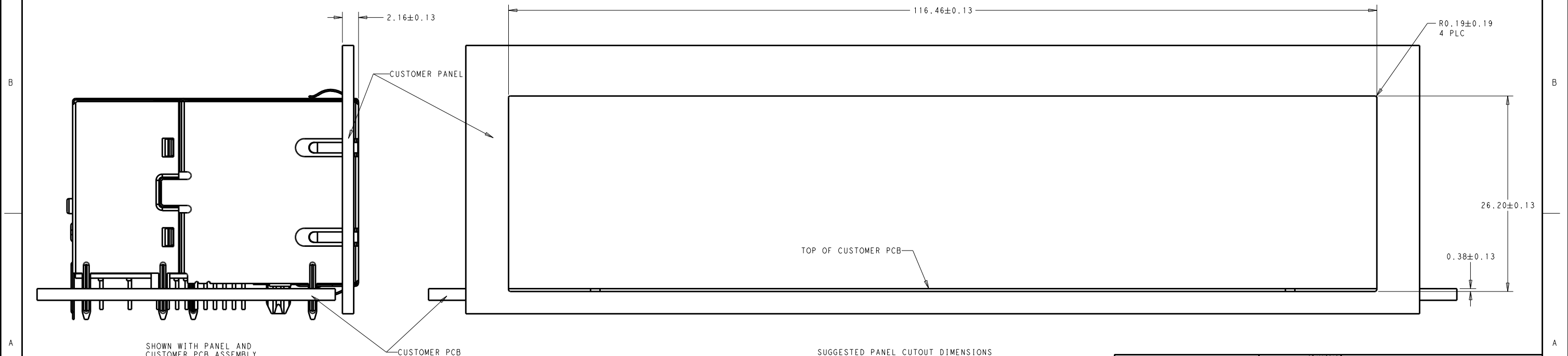
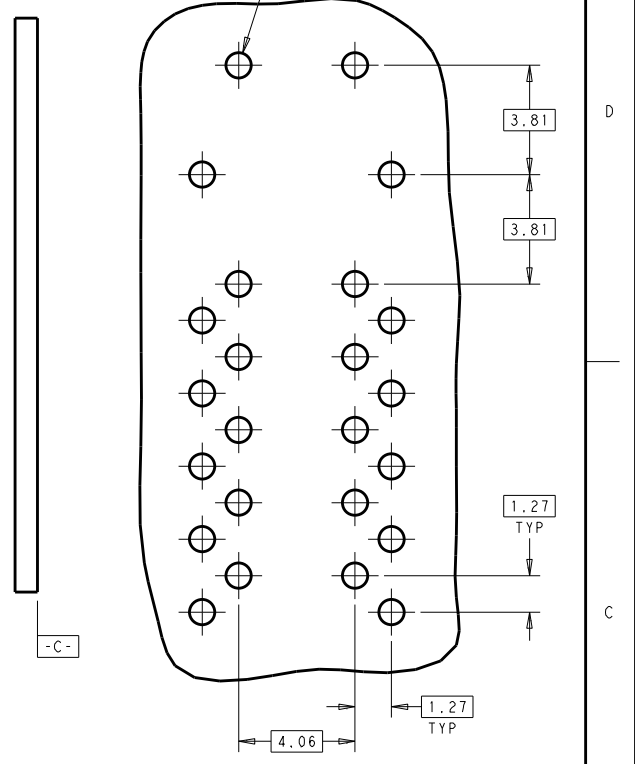
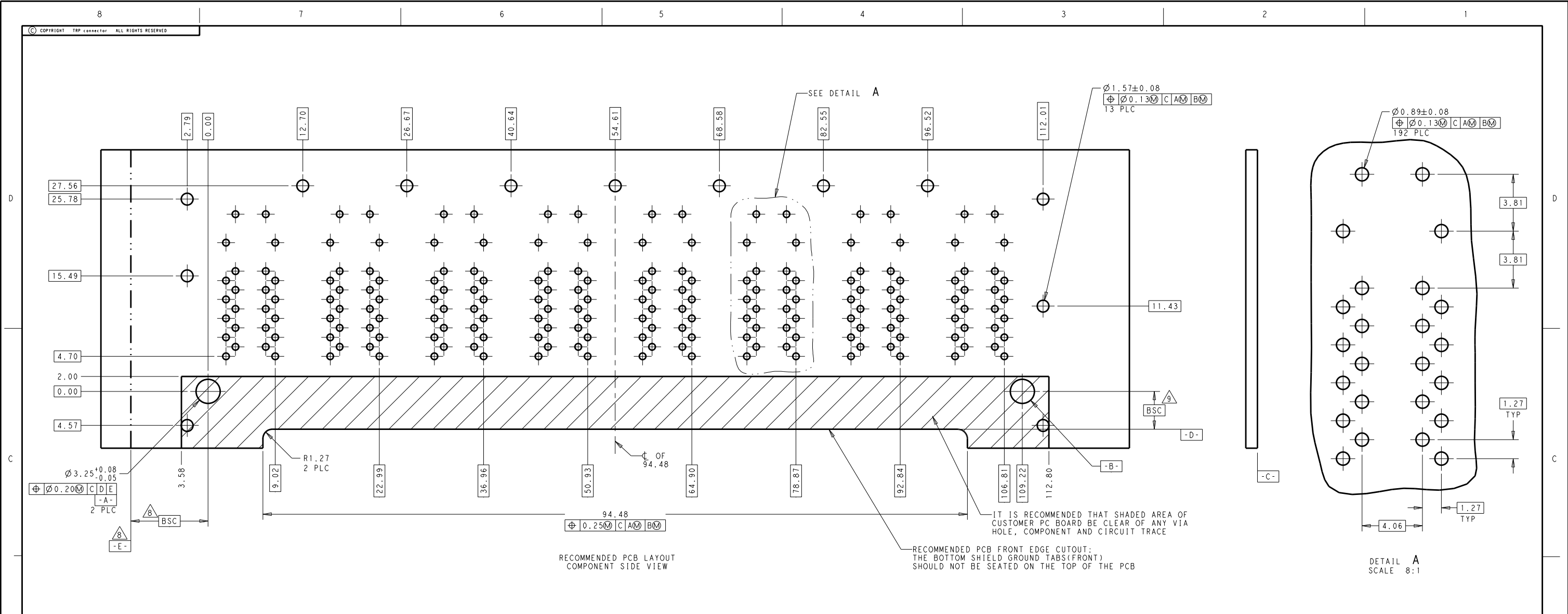
C

B

A



THIS DRAWING IS A CONTROLLED DOCUMENT.		DRN TOMMY REN 05JAN2010	trp CONNECTOR DONGGUAN CHINA
DIMENSIONS: mm		CHK TONY YUAN 05JAN2010	
TOLERANCES UNLESS OTHERWISE SPECIFIED:		APVD KELTH ZHU 05JAN2010	
0 PLC ± 1 PLC ± 2 PLC ±0.25 3 PLC ± 4 PLC ± ANGLES ±	PRODUCT SPEC 108-104004	MODEL NAME MAGJACK STACK POE PLUS	DESC 2X8 S9HG43 GIGABIT PoE PLUS W/O LED SIZE A1 CAGE CODE DRAWING NO 1840926 RESTRICTED TO Customer Drawing
SCALE NTS		SHEET 2 OF 3	REV D



THIS DRAWING IS A CONTROLLED DOCUMENT.		DWN TOMMY REN 05JAN2010 CHK TONY YUAN 05JAN2010 APVD KELTH ZHU 05JAN2010	DONGGUAN CHINA
DIMENSIONS: mm 	TOLERANCES UNLESS OTHERWISE SPECIFIED: 0 PLC ± 1 PLC ± 2 PLC ±0.25 3 PLC ± 4 PLC ± ANGLES °	MODEL NAME MAGJACK STACK POE PLUS	
PRODUCT SPEC 108-104004	APPLICATION SPEC	Customer Drawing	SCALE NTS SHEET 3 OF 3 REV D