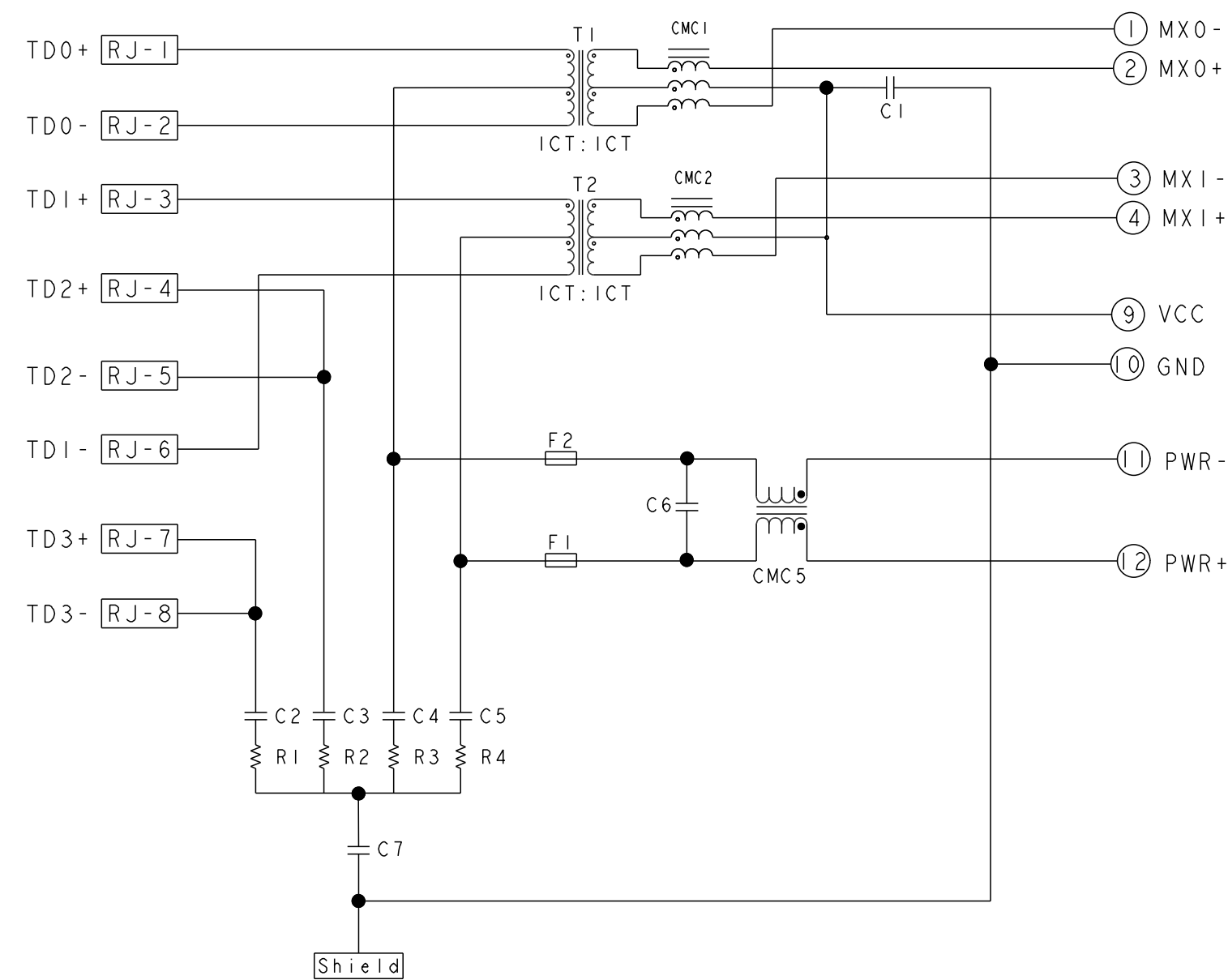
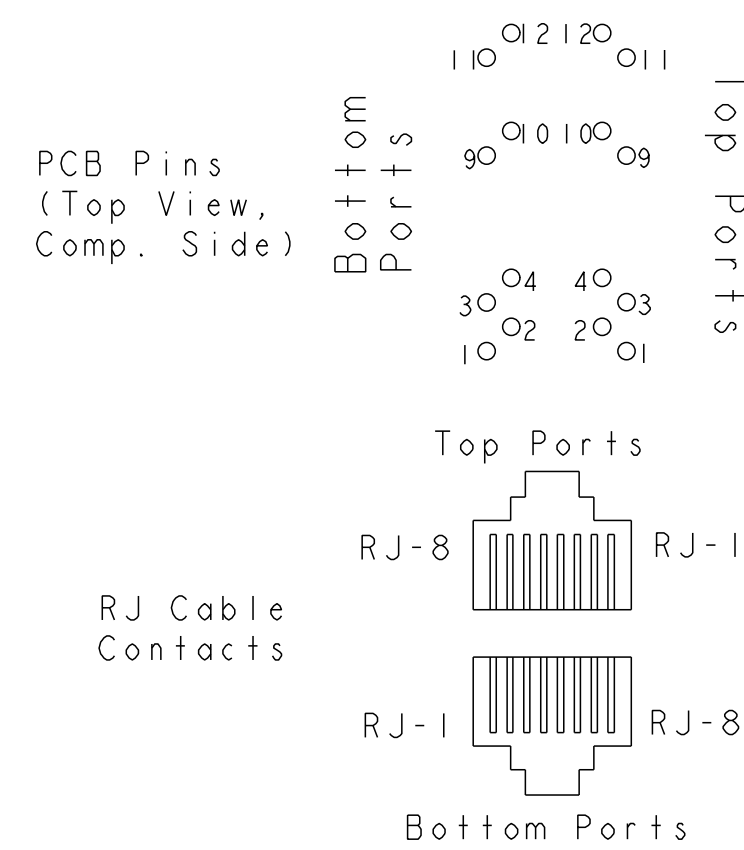


S8V28PI 10/100 PoE CIRCUIT \triangle \triangle
 Top and Bottom Ports



R1-R4 = 75 Ohms, 1/16W
 C1 = 10nF, 50V, \pm 10% X7R
 C2-C5 = 22nF, 100V, \pm 10%
 C6 = 100nF, 100V, \pm 10%
 C7 = 1000pF, 2KV, \pm 10%
 F1-F2 = 125V, 1A

Pin Designations
 (Repeat for each vertical pair of ports.)



- MATERIALS:
 PLASTIC HOUSING: BLACK, THERMOPLASTIC FLAMMABILITY RATING UL 94V-0
 SHIELD: BRASS, PREPLATED WITH 0.76um MIN SEMI-BRIGHT NICKEL,
 POST DIPPED WITH 2.54um MIN SAC SOLDER ON SOLDER TAILS,
 CONTACTS: PHOSPHOR BRONZE, 1.27um MIN OVERALL NICKEL
 UNDERPLATE WITH SELECT 1.27um MIN GOLD AT MATING INTERFACE
 AND 2.54um MIN MATTE TIN ON SOLDER TAILS.
 ALL PC BOARDS: HIGH TEMPERATURE PCB, TG>170°C
- MAGNETICS
 APPLICATION: 10/100 BASE-T, PoE
 IMPEDANCE: 100 OHMS
 TURNS RATIO (CHIP:CABLE): TX = 1:1, RX = 1:1
 OPEN CIRCUIT INDUCTANCE (OCL): 350uH MIN @100kHz, 0.1VRMS,
 8mADC BIAS FROM 0°C TO 70°C, TX AND RX
 POE CURRENT: 350mADC MAX
 PERFORMANCE @ 25°C:
 INSERTION LOSS (IL): 1.1dB MAX FROM 0.5MHz TO 100MHz
 RETURN LOSS (RL): 18dB MIN FROM 0.5MHz TO 30MHz
 18-20LOG(f/30)dB MIN FROM 30.1MHz TO 60MHz
 12dB MIN FROM 60.1MHz TO 80MHz
 CROSSTALK ATTENUATION: 35dB MIN FROM 0.5MHz TO 40MHz
 33-20LOG(f/50)dB MIN FROM 40.1MHz TO 100MHz
 COMMON MODE REJECTION RATIO (CMRR): 30dB MIN FROM 0.5MHz TO 100MHz
 ISOLATION VOLTAGE: 2250VDC(MAX) FOR 60 SECONDS WITH A RISE TIME OF
 500V/SEC AND WITH ALL PORTS CONNECTED.
- PART NUMBER, DATE CODE AND COUNTRY OF ORIGIN ARE LOCATED IN APPROXIMATE AREA SHOWN.
- TRP CONNECTOR LOGO AND AGENCY APPROVAL LOGO ARE LOCATED IN APPROXIMATE AREA SHOWN.
- OPERATING TEMP: FROM 0°C TO +70°C.
- RJ45 CAVITY CONFORMS TO FCC RULES AND REGULATION PART 68 SUBPART F.
- INDICATED MAGNETIC CONNECTIONS ARE SYMMETRICAL AND SUPPORT AUTO-MDI/MDIX.
- DATUM AND BASIC DIMENSION ESTABLISHED BY CUSTOMER.
- BASIC DIMENSION ESTABLISHED BY CUSTOMER, BUT MAY NOT BE GREATER THAN 5.08mm.
- THE PARTS ARE RECOMMENDED FOR WAVE SOLDERING PROCESS, PEAK TEMPERATURE 260°C MAX, 10 SECONDS MAX.

1840953-1
 PART NUMBER

THIS DRAWING IS A CONTROLLED DOCUMENT.		DWN: TOMMY REN 27APR2010	trp CONNECTOR a belgroup	DONGGUAN CHINA
DIMENSIONS: mm		CHK: TONY YUAN 27APR2010		DESC: 2X4 S8V28PI 10/100 PoE W/O LED
TOLERANCES UNLESS OTHERWISE SPECIFIED:		APPR: KEITH ZHU 27APR2010		SIZE: A1
0 PLC \pm 0.25 1 PLC \pm 0.25 2 PLC \pm 0.25 3 PLC \pm 0.25 4 PLC \pm ANGLES \pm	PRODUCT SPEC: 108-104004 APPLICATION SPEC: -	MODEL NAME: MAGJACK STACK PoE CUSTOMER DRAWING	DRAWING NO: C=1840953 SCALE: 4:1 SHEET: 1 OF 3 REV: D	RESTRICTED TO: -

D

D

C

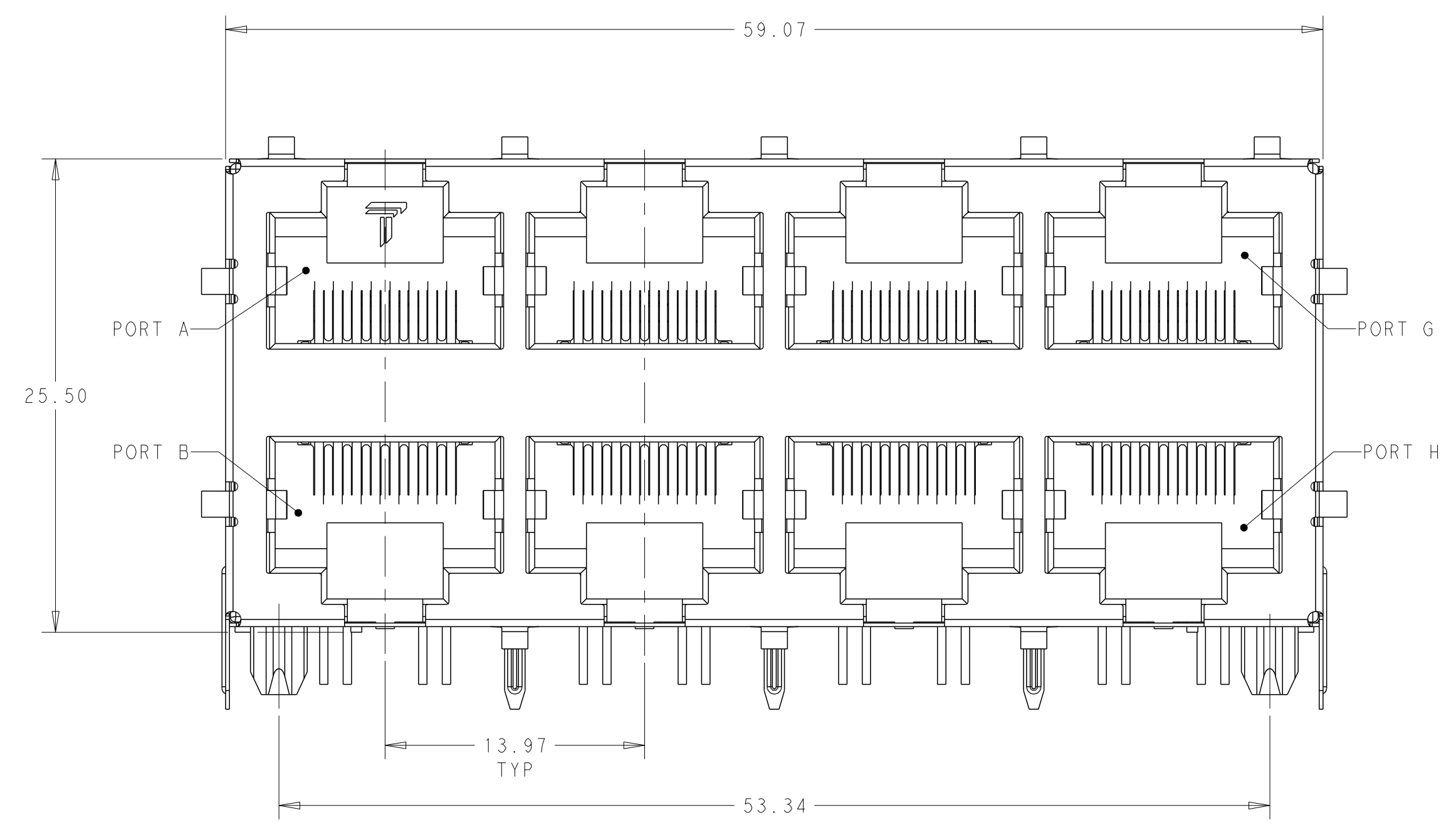
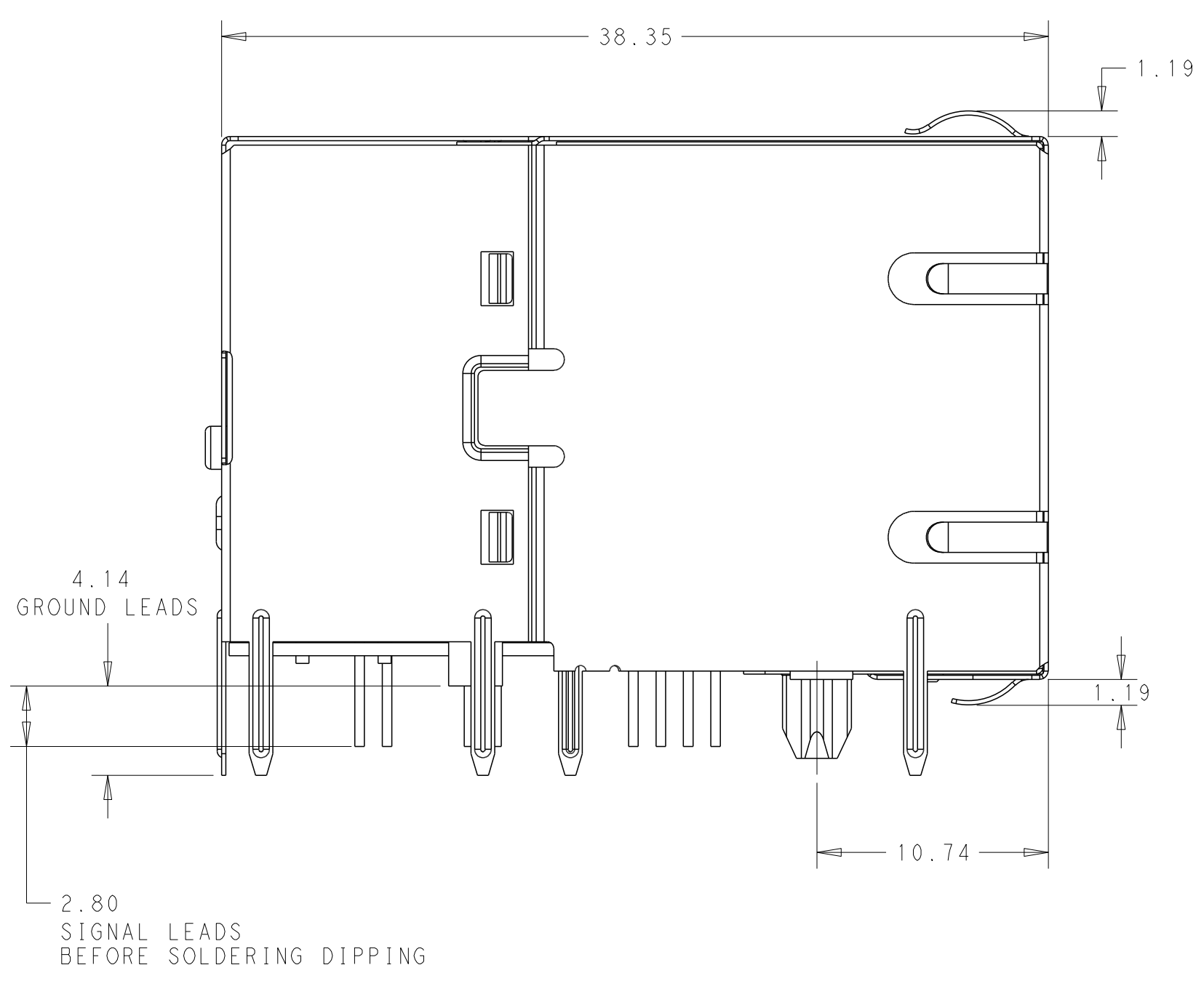
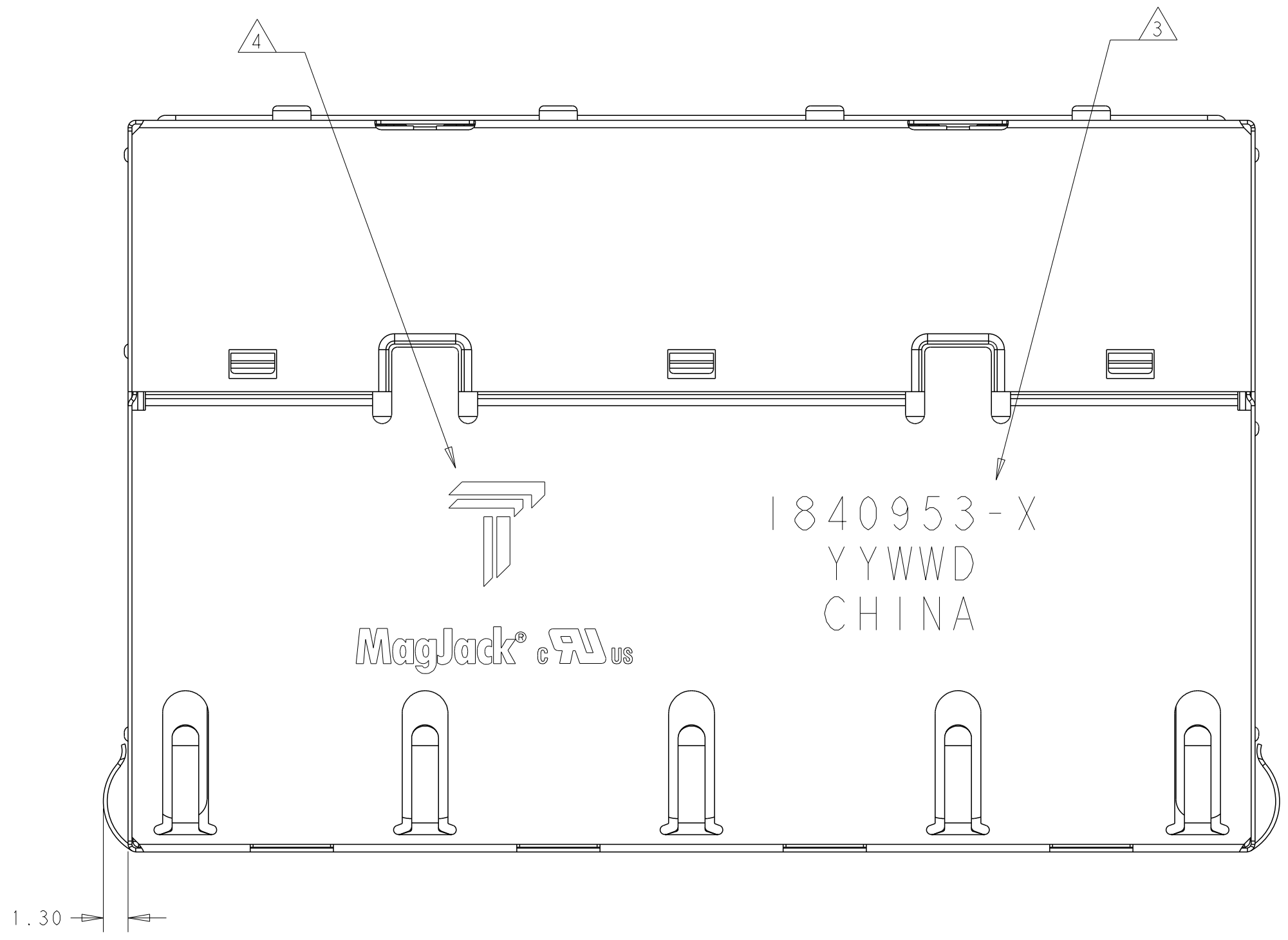
C

B

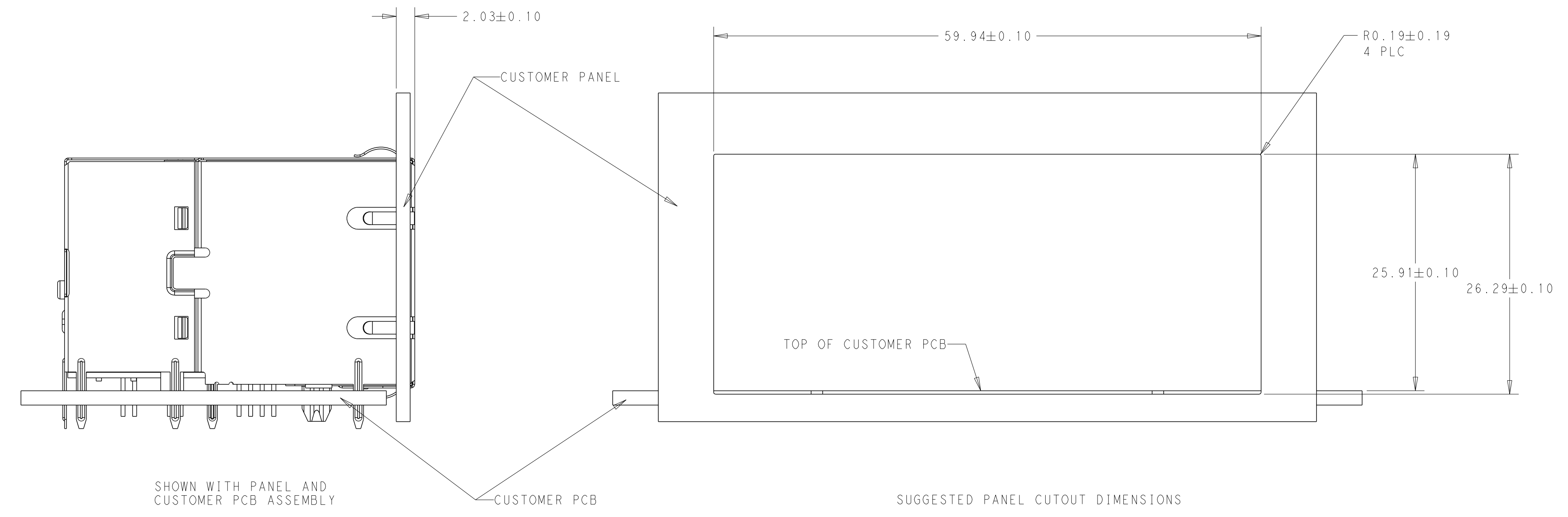
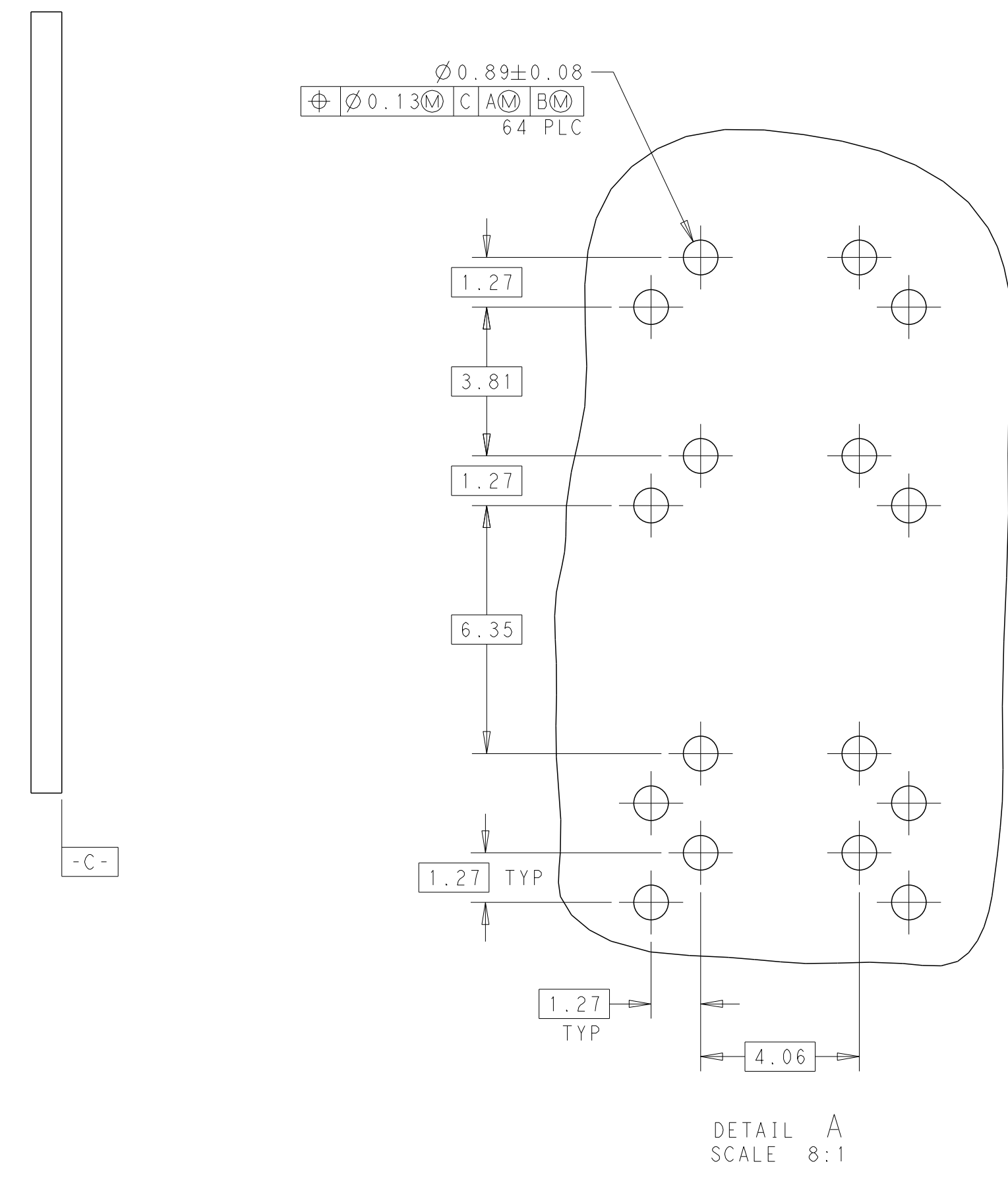
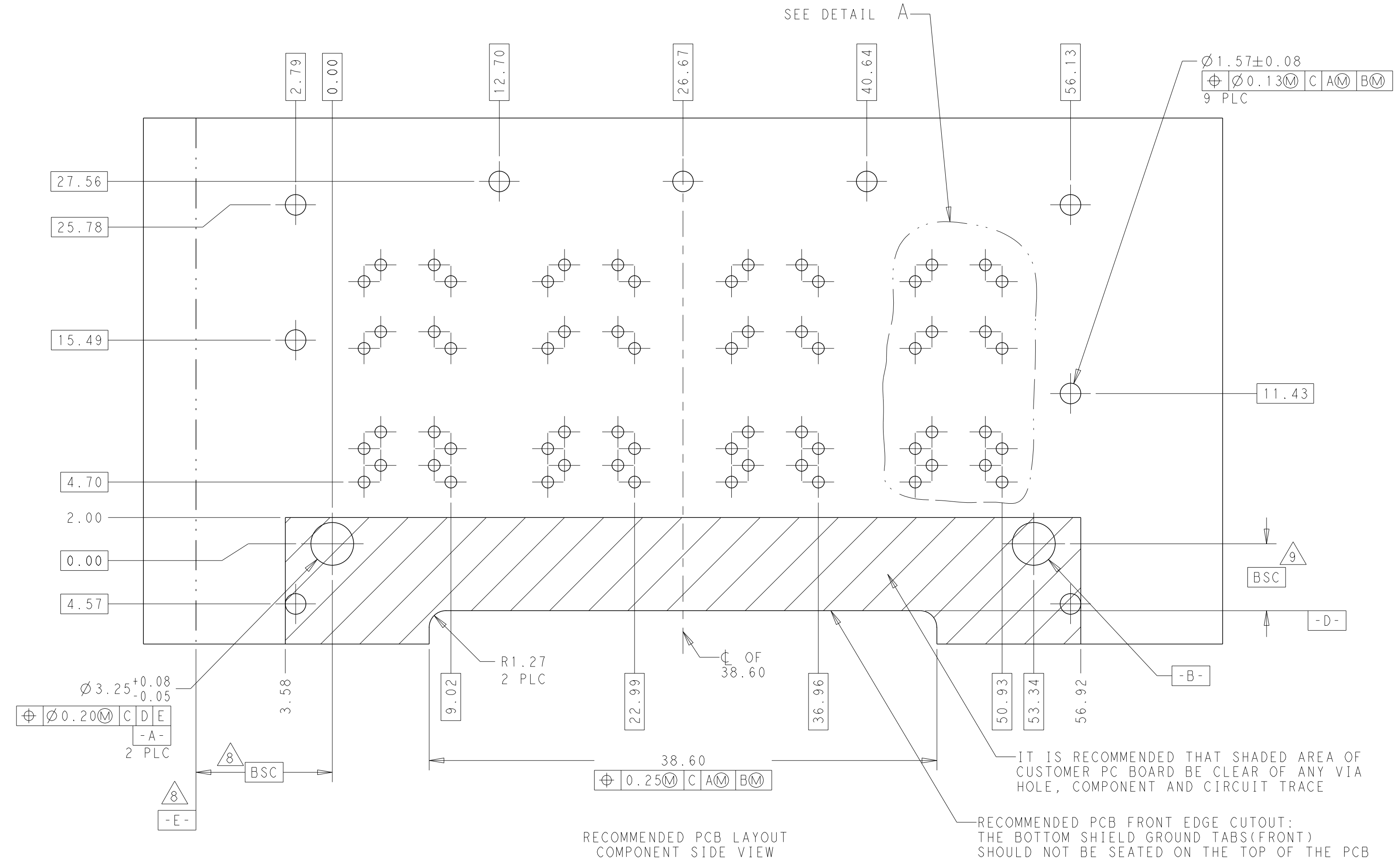
B

A

A



THIS DRAWING IS A CONTROLLED DOCUMENT.		DWR: TOMMY REN 27APR2010 CHK: TONY YUAN 27APR2010 APVD: KEITH ZHU 27APR2010	DONGGUAN CHINA
DIMENSIONS: mm	TOLERANCES UNLESS OTHERWISE SPECIFIED: 0 PLC ±0.25 1 PLC ±0.25 2 PLC ±0.25 3 PLC ± 4 PLC ± ANGLES ± APPLICATION SPEC ±	MODEL NAME MAGJACK STACK PoE	
PRODUCT SPEC 108-104004		CUSTOMER DRAWING	SIZE: A1 CAGE CODE: C=1840953 SCALE: 4:1 SHEET: 2 OF 3 REV: D



THIS DRAWING IS A CONTROLLED DOCUMENT.		DRW: TOMMY REN 27APR2010	 DONGGUAN CHINA
DIMENSIONS: mm		CHK: TONY YUAN 27APR2010	
TOLERANCES UNLESS OTHERWISE SPECIFIED:		APP'D: KEITH ZHU 27APR2010	
 0 PLC ±0.25 1 PLC ±0.25 2 PLC ±0.25 3 PLC ±0.25 4 PLC ±0.25 ANGLES ±°	PRODUCT SPEC: 108-104004 APPLICATION SPEC: -	MODEL NAME: MAGJACK STACK PoE DESC: 2X4 S8V28PI 10/100 PoE W/O LED SIZE: A1 CAGE CODE: - DRAWING NO: C=1840953 RESTRICTED TO: -	
CUSTOMER DRAWING		SCALE: 4:1	SHEET 3 OF 3 REV D